

# **alzaTools**

User Manual



## **Cordless Drill**

AT-CD20V



<b>ENGLISH</b>	<b>4</b>
<b>DEUTSCH</b>	<b>15</b>
<b>ČESKY</b>	<b>27</b>
<b>SLOVENSKY</b>	<b>38</b>
<b>MAGYAR</b>	<b>49</b>

# SAFETY INSTRUCTIONS

## EXPLANATION OF SYMBOLS ON THE PRODUCT PACKAGING/TYPE LABEL



Read the operating instructions carefully before use!



Wear protective gloves



Wear mouth and nose protection.



Wear noise protection.



Wear protective glasses



Do not throw batteries into water!



Protect from rain and moisture.



Protect from heat and fire.



Ensure proper recycling of the product at the end of its service life and all packaging materials.



Do not dispose of batteries with normal household waste.



Do not throw batteries into a fire!



Do not expose batteries to excessive temperatures above 50 °C.



Always remove the battery during work, transport, storage, maintenance or repair.

## GENERAL SAFETY INSTRUCTIONS FOR POWER TOOLS

**WARNING! All safety instructions, user manuals, images and regulations supplied with these tools must be read. Failure to follow all of the following instructions may result in electric shock, fire, and/or serious personal injury. All instructions and the user manual must be kept for future reference.**

### Safety of working environment

1. The workplace must be kept clean and well lit. Untidy and dark spaces are often the cause of accidents.
2. Power tools must not be used in potentially explosive atmospheres, such as in the presence of flammable liquids, gases or dust. Power tools create sparks that can ignite dust or fumes.
3. Children and other persons must be kept away when using power tools. If the operator is disturbed, he/she may lose control of the operation.

### Electrical safety

1. The plug on the power tool's flexible lead must match the power outlet. The plug must never

be modified in any way. No socket adapters may be used with tools that have a protective earth connection. Plugs and respective sockets that are rendered unusable will reduce the risk of electric shock.

2. The operator must not touch grounded objects, such as pipes, central heating units, cookers and refrigerators. The risk of electric shock is greater if your body is connected to the ground.
3. Power tools must not be exposed to rain, moisture or wetness. If water enters the power tool, the risk of electric shock increases.
4. The flexible supply must not be used for other purposes. The power tool must not be carried or pulled by the cord, nor must the plug be unplugged from the socket. The inlet must be protected from heat, grease, sharp edges or moving parts. Damaged or tangled leads increase the risk of electric shock.
5. If the power tool is used outdoors, an extension cord suitable for outdoor use must be used. Using an extension cord for outdoor use reduces the risk of electric shock.
6. If the power tool is used in a humid environ-

# SAFETY INSTRUCTIONS

ment, a residual current device (RCD) must be used. Using an RCD reduces the risk of electric shock.

## Safety of persons

1. When using a power tool, the operator must be careful, pay attention to what he/she is doing, and concentrate and think clearly. Power tools must not be used if the operator is tired or under the influence of drugs, alcohol or medication. Momentary inattention while using a power tool can result in serious personal injury.
2. Use personal protective equipment. Always use eye protection. Protective equipment such as a respirator, non-slip safety shoes, hard hat and hearing protection, used in accordance with the working conditions, reduces the risk of personal injury.
3. Unintentional starting of the machine must be avoided. Make sure that the switch is in the off position before plugging in and/or connecting the battery pack, lifting or carrying the tool. Carrying a tool with your finger on the switch or plugging in a tool fork with the switch on can cause injury.
4. All adjusting tools or wrenches must be removed before turning on the tool. An adjusting tool or wrench that remains attached to the rotating part of the power tool may result in personal injury.
5. The operator must only work where he/she can safely reach. The operator must always maintain a stable posture and balance. This will allow better control of the power tool in unforeseen situations.
6. Dress appropriately. Do not wear loose clothing or jewellery. The operator must make sure that his/her hair and clothing are a sufficient distance away from moving parts. Loose clothing, jewellery and long hair can be caught in moving parts.
7. Where equipment is provided for connecting dust extraction and collection facilities, care must be taken to ensure that it is connected and used correctly. The use of such equipment can reduce hazards caused by dust.
8. The operator must not allow the routine that results from the frequent use of the tools, to cause them to become complacent and ignore the principles of tool safety. Careless activity can cause serious injuries in a split second.

## Use and the maintenance of power tools

1. Power tools must not be overloaded. It is essential to use the correct power tool for the work being carried out. The correct power tool will do the work it was designed to do better and safer.
2. Power tools that cannot be turned on and off with the switch must not be used. Any power tool that cannot be operated with the switch is dangerous and must be repaired.
3. Before making any adjustments, changing accessories, or storing power tools, unplug the power tool and/or remove the battery pack from the power tool if it is removable. These precautions reduce the risk of accidentally starting the power tool.
4. Unused power tools must be stored out of the reach of children. Persons unfamiliar with the power tool or these instructions must not be allowed to use the power tool. Power tools are dangerous in the hands of inexperienced users.
5. Power tools and accessories must be maintained. The adjustment of moving parts and their mobility must be checked and attention focused on cracks, broken parts and any other circumstances that may jeopardize the function of the power tool. If the tool is damaged, it must be repaired before use. Many accidents are caused by poorly maintained power tools.
6. Cutting tools must be kept sharp and clean. Properly maintained and sharpened cutting tools are less likely to catch on material or jam and are easier to control.
7. Power tools, accessories and tool bits etc. must be used in accordance with these instructions and in the manner intended for the particular power tool, taking into account the working conditions and the work to be carried out. Using power tools for activities other than those for which they are designed can lead to dangerous situations.
8. Handles and grip surfaces must be kept dry, clean and free of grease. Slippery handles and gripping surfaces mean the tool cannot be held and controlled in unexpected situations.

## Service

1. Power tool repairs must be carried out by qualified personnel using identical spare parts. This will ensure the same level of safety of the power

# SAFETY INSTRUCTIONS

er tool as before the repair.

## USE AND MAINTENANCE OF CORDLESS TOOLS

1. The tool must only be charged with the charger specified by the manufacturer. A charger that may be suitable for one type of battery pack may present a fire hazard when used with another battery pack.
2. The tool must only be used with a battery pack that is specifically designed for the tool. The use of any other battery pack may present a risk of injury or fire.
3. When the battery set is not used, the battery pack must be protected from contact with other metal objects, such as paper clips, coins, keys, nails, screws or other small metal objects that can cause one battery contact to come into contact with another. Short-circuiting the battery terminals may cause burns or fire.

## SAFETY INSTRUCTIONS FOR DRILLS

### Safety instructions for all work activities

1. Hearing protection must be worn when hammer drilling. Noise exposure can cause hearing loss.
2. Additional handle(s) must be used. Loss of control can cause personal injury.
3. The tool must be fully secured before use. This tool produces a high output torque and without proper locking against the tool during operation, loss of control may occur, which may result in personal injury.
4. When performing an operation where the drilling tool may touch a hidden guide or its own power supply, the power tool must be held by the insulated gripping surfaces. Contact of the drilling tool with a "live" wire can cause the uninsulated metal parts of the power tool to become "live" and lead to an electric shock to the user.

### Safety instructions when using long drills

1. Never use the machine at speeds higher than the maximum rated drill speed. At higher speeds, the drill is likely to bend if it is allowed to rotate freely without being in contact with the workpiece, which can result in personal injury.
2. Always start at a low speed with the tip of the drill touching the workpiece. At higher speeds,

the drill is likely to bend if it is allowed to rotate freely without being in contact with the workpiece, which can result in personal injury.

3. Only push in a straight line with the drill and do not apply excessive pressure. Drills can bend and crack or cause loss of control, which can result in personal injury.

# TECHNICAL DATA

<b>Maximum torque</b>	35 Nm
<b>Revolutions per minute (no load)</b>	0-400/0-1400
<b>Drill size</b>	2-13 mm
<b>Chuck</b>	1/2"×20 UNF

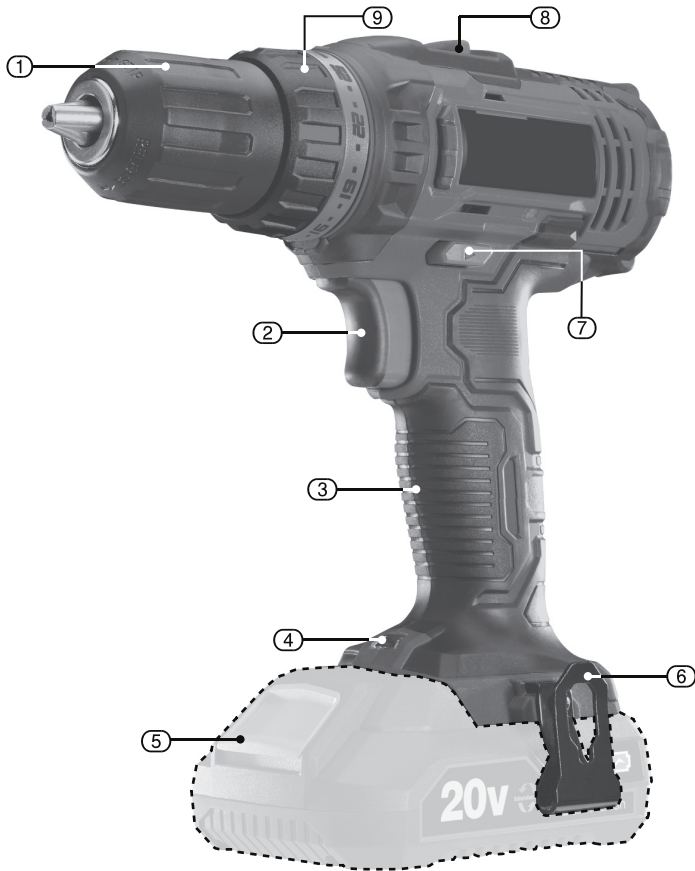
<b>Maximum diameter of the hole:</b>	
<b>wood</b>	35 mm
<b>soft steel</b>	13 mm

<b>Sound pressure level *</b>	73 dB(A), K=3 dB(A)
<b>Sound power level **</b>	84 dB(A), K=3 dB(A)
<b>Level of vibrations</b>	4.567 m/s <sup>2</sup> , K=1.5 m/s <sup>2</sup>
<b>Weight (only machine)</b>	1.2 kg

\* Continuous sound pressure level with filter A for hand tools measured according to EN ISO 15744: 1999 and stated according to EN ISO 4871.

\*\* Sound power level with filter A for hand tools measured according to EN ISO 15744: 1999 and reported according to EN ISO 4871.

# DESCRIPTION



- 1 13 mm chuck without handle
- 2 Speed button with speed control
- 3 Handle
- 4 LED light
- 5 Rechargeable battery Li-ion 20 V/2.0 Ah (sold separately)
- 6 Belt loop
- 7 Direction selector
- 8 Transfer selector
- 9 Torque setting ring



# UNPACKING AND INSPECTION

## UNPACKING

Carefully unpack the product, remove the packaging material and check the condition for any damage during transport. Disassemble the contents of the package and check the completeness of the accessories according to the next paragraph. If anything is missing, contact your dealer and do not use the product.

Keep the packaging material for at least the warranty period, it must be used in the case of shipment.

### Warning!

- Packaging material can be dangerous to children. Keep it out of the reach of children.
- Follow applicable local recycling regulations when disposing of the packaging.

# DRILL PREPARATION

## BATTERY CHARGE STATUS

You can check the current battery charge by pressing the battery indicator button.

## TIPS FOR EFFICIENT BATTERY USE

- Charge the batteries before they are completely discharged.
- If the performance of the machine decreases, stop using it and replace or charge the battery. Using the machine with the last remaining battery power may damage the battery.
- Do not charge the batteries at high temperatures. The batteries are hot immediately after use. When such a battery is charged, the chemical structure of the cells degrades, and the battery life is shortened. Therefore, allow the batteries to cool before charging.
- The batteries can only be charged and used in the temperature range of 5 °C to 30 °C. There is a risk of damage to the cells. Always allow the batteries to reach normal temperature.

**Note:** Failure to follow these instructions can damage the batteries and charger or cause an injury.

# BASIC USE

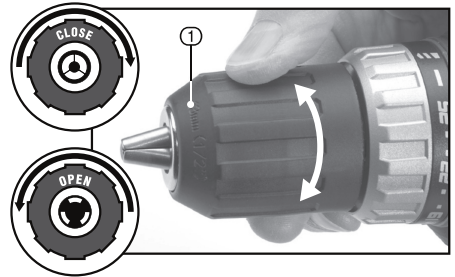
## FIXING AND REMOVING THE DRILL

**Note:** The product is equipped with an electric brake.

The drill is equipped with a chuck, which allows the drill to be fixed without using tools. No handles are needed to fasten and loosen the drill or screwdriver bits.

- Insert the drill bit into the chuck hole as deep as possible.
- Firmly tighten the chuck by hand.

**Note:** Simply insert the short screwdriver bits between the jaws.



## ROTATION DIRECTION SELECTION

REVERSE, FORWARD

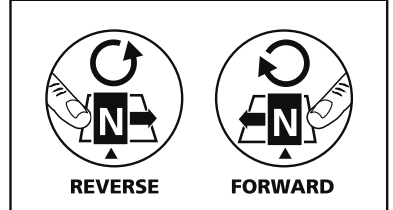
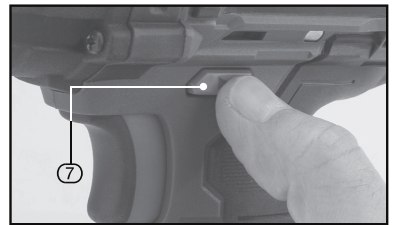
The direction of rotation switch (7) allows you to change the direction of the rotation of the spindle.

### Change direction of rotation:

- Stop the engine and press button (7) left or right.
- When the switch is pressed to the left, the drill rotates to the right (forward).
- When the switch is pressed to the right, the drill rotates to the left (backwards).
- Always make sure the switch is in the correct position before use. The direction cannot be changed while the machine is running; always wait for the drill to come to a complete stop.

- When not in use, you can set the direction switch to the neutral position (centre) when the motor switch is locked.

**Note:** If the switch is not in the neutral position, the switch may be accidentally pressed, and the drill switched on accidentally. Doing so may damage the machine or cause injury.



## SPEED CONTROL SWITCH

When the switch (2) is pressed, the drill spindle rotates (assuming the direction selector (7) is in one of the extreme positions). This switch is also used to continuously control the rotation speed electronically.

- The speed of rotation depends on the degree to which the switch button is pressed.
- The deeper it is pressed, the faster the drill rotates.
- When pressed lightly, the spindle rotates more slowly.

## TORQUE CHOICE

By turning the ring (9) around the chuck, it is possible to set the maximum torque that the machine

# BASIC USE

will reach.

- Setting 1-25 allows you to select the maximum torque. This is suitable, for example, for repeatedly screwing identical screws, which are tightened with the same force after setting the torque and, in the case of countersunk screws, are equally deep in the material.
- If the torque is set correctly, the small diameter screw will not break.

## TWO-SPEED GEARBOX

- Choose lower gear 1 (lower speed and higher torque) for screwdriving and large drill diameters.
- Use higher gear 2 (higher speed and less force) for drilling holes.

## BELT CLIP

The spring-clip (6) for hanging on the belt is used to temporarily hang the drill. The clip can be attached on both sides of the drill.

### Clip installation:

- Adjust the clip (6) to the appropriate position and secure it with the enclosed screw. Tighten the screw carefully so as not to tear the thread in the machine.

## LED LIGHT

The light (4) comes on automatically when the drill switch is pressed and makes it easier to work in tight and poorly lit areas.

## SCREWING

Choose the size and type of screwdriver bit according to the screw head to prevent the tool from slipping or damaging the head.

### Removing a screw:

- Slide the direction switch to the left rotation position and slowly press the switch while applying pressure to the screw.

Screwdriver bits are consumables.

### Warning!

- Before drilling, make sure that dangerous objects, such as gas, water and electricity lines, etc., are not hidden under the material being drilled. Check with a suitable detector.
- Do not expose the drill or tool charger to rain or moisture.
- Do not overcharge the battery (for more than 6 hours), as this may damage the cells.

## WOOD AND PLASTIC DRILLING

To prevent the edges of the hole from fraying on the underside of the material, underlay it with a piece of the same material at the location of the future hole.

## METAL DRILLING

It is possible to drill metals such as mild steel and non-ferrous metals. Some tips are useful.

- Mark the centre of the hole with a punch so that the drill does not slip.

# BASIC USE

- A drop of oil at the location of the future hole will facilitate drilling and extend the life of the drill.

**Note:** Although metal drilling is within the capabilities of this drill, the rotation speed may not be suitable for all applications and provide the best result. Take extra care when drilling into metal, there is a risk of various complications.

## MAINTENANCE

Regular inspections and cleaning of the machine reduce the need for service and keep the machine in good condition.

The engine must be sufficiently cooled during operation. Keep the air vents clean and regularly dusted.

## TROUBLESHOOTING

**Note:** Remove the battery from the drill before adjustment and maintenance.

Problem	Possible cause	Solution
<b>The engine does not start.</b>	<ul style="list-style-type: none"><li>- The battery is empty.</li><li>- The direction of rotation is not selected.</li><li>- The battery is defective.</li></ul>	<ul style="list-style-type: none"><li>- Charge or replace the battery.</li><li>- Select the direction with the switch.</li><li>- Replace battery.</li></ul>
<b>The engine is running slow/ with no power.</b>	<ul style="list-style-type: none"><li>- The battery is empty.</li><li>- The battery is defective.</li></ul>	<ul style="list-style-type: none"><li>- Charge or replace the battery.</li><li>- Replace battery.</li></ul>
<b>The chuck does not hold the drill or cannot be tightened.</b>	<ul style="list-style-type: none"><li>- Dust and chips in the chuck.</li></ul>	<ul style="list-style-type: none"><li>- Clean the inside of the chuck with cleaning fluid.</li></ul>
<b>The battery does not charge or light up / the charger does not light up.</b>	<ul style="list-style-type: none"><li>- The charger is not supplied.</li><li>- The charger is defective.</li></ul>	<ul style="list-style-type: none"><li>- Check fuses.</li><li>- Replace the charger.</li></ul>

**Important:** All repairs to the machine must only be carried out by a qualified person.

# EC DECLARATION OF CONFORMITY

## Identification of the manufacturer / importer's authorised representative:

Manufacturer: Alza.cz, a. s.

Registered office: Jankovcova 1522/53, Holešovice, 170 00 Prague 7

Company ID: 27082440

## Subject of the declaration:

Name: Cordless drill

Model/Type: AT-CD20V

## The above product has been tested in accordance with the standard (s) used to demonstrate compliance with the essential requirements set out in the Directive (s):

Machine directive 2006/42/EC

Electromagnetic compatibility (EMC) directive 2014/30/EU

ROHS directives 2011/65/EU and (EU) 2015/863

## Reference to harmonised standards:

EN62841-1:2015

EN 62841-2-1:2018/A11:2019

EN55014-1:2017

EN55014-2:2015

## EC type-examination was carried out on:

No. 0123 TÜV SÜD Product Service GmbH, Certification Body, Ridlerstraße 65, 80339 Munich, Germany

Certificate number: M8A 063263 0133

## Technical documentation is stored at:

Alza.cz, a. s.

Jankovcova 1522/53, Holešovice, 170 00 Prague 7

The year of manufacture of the machine and the serial number are indicated on the machine.

Ing. Jan Melena

Business Development Manager

Sales and Purchasing; Private Labels



Prague, 22. 9. 2021



# SICHERHEITSHINWEISE

## ERLÄUTERUNG DER SYMBOLE AUF DER PRODUKTVERPACKUNG/DEM TYPENSCHILD



Lesen Sie vor dem Gebrauch die Bedienungsanleitung durch!



Tragen Sie Schutzhandschuhe.



Tragen Sie einen Mund- und Nasenschutz.



Benutzen Sie Lärmschutz.



Tragen Sie eine Schutzbrille.



Werfen Sie die Batterien nicht ins Wasser!



Vor Regen und Feuchtigkeit schützen.



Vor Hitze und Feuer schützen.



Sorgen Sie für ein ordnungsgemäßes Recycling des Produkts am Ende seiner Lebensdauer und aller Verpackungsmaterialien.



Entsorgen Sie die Batterien nicht mit dem normalen Hausmüll.



Werfen Sie die Batterien nicht ins Feuer!



Setzen Sie die Batterien nicht übermäßigen Temperaturen über 50 °C aus.



Nehmen Sie den Akku bei Arbeitsunterbrechung, Transport, Lagerung, Wartung oder Reparatur immer heraus.

## ALLGEMEINE SICHERHEITSHINWEISE FÜR ELEKTROWERKZEUGE

**WARNUNG! Alle Sicherheitshinweise, Bedienungsanleitungen, Bilder und Vorschriften, die mit diesem Gerät geliefert werden, müssen gelesen werden. Die Nichteinhaltung der folgenden Hinweise kann zu Stromschlag, Brand und/oder schweren Verletzungen führen.**

**Alle Anleitungen und Gebrauchsanweisungen müssen aufbewahrt werden, damit sie zu einem späteren Zeitpunkt eingesehen werden können.**

### Sicherheit im Arbeitsumfeld

1. Der Arbeitsplatz muss sauber und gut beleuchtet sein. Unordnung und dunkle Räume sind oft die Ursache von Unfällen.
2. Elektrowerkzeuge dürfen nicht in explosionsgefährdeten Bereichen eingesetzt werden, in denen brennbare Flüssigkeiten, Gase oder Stäube vorhanden sind. Das Elektrowerkzeug erzeugt Funken, die Staub oder Dämpfe entzünden können.
3. Kinder und andere Personen müssen an der

Benutzung von Elektrowerkzeugen gehindert werden. Wenn der Bediener gestört wird, kann er die Kontrolle über den Vorgang verlieren.

### Elektrische Sicherheit

1. Die Gabel des beweglichen Elektrowerkzeugs muss mit der Steckdose übereinstimmen. Die Gabel darf in keiner Weise verändert werden. Es dürfen keine Steckdosenadapter mit Werkzeugen verwendet werden, die eine Schutzverbindung zur Erde haben. Gabeln, die durch Änderungen entwertet wurden, und entsprechende Steckdosen, verringern das Risiko eines Stromschlags.
2. Der Bediener darf geerdete Gegenstände wie Rohre, Körper der Zentralheizung, Herde und Kühlschränke nicht mit seinem Körper berühren. Die Gefahr eines Stromschlags ist größer, wenn Ihr Körper mit dem Boden verbunden ist.
3. Elektrowerkzeuge dürfen nicht Regen, Feuchtigkeit oder Nässe ausgesetzt werden. Wenn Wasser in das Elektrowerkzeug eindringt, erhöht sich das Risiko eines Stromschlags.
4. Das bewegliche Zuleitungskabel darf nicht für andere Zwecke verwendet werden. Elektro-

# SICHERHEITSHINWEISE

werkzeuge dürfen weder am Kabel getragen oder gezogen werden, noch darf der Stecker durch Ziehen am Kabel aus der Steckdose gezogen werden. Das Zuleitungskabel muss vor Hitze, Fett, scharfen Kanten oder beweglichen Teilen geschützt werden. Beschädigte oder verhedderte Zuleitungskabel erhöhen das Risiko eines Stromunfalles.

5. Wenn das Elektrowerkzeug im Freien verwendet wird, muss ein für den Außeneinsatz geeignetes Verlängerungskabel verwendet werden. Die Verwendung eines Verlängerungskabels für den Außeneinsatz verringert das Risiko eines Stromschlags.
6. Wenn Elektrowerkzeuge in feuchten Bereichen verwendet werden, muss eine durch einen Fehlerstromschutzschalter (RCD) geschützte Stromversorgung verwendet werden. Der Fehlerstromschutzschalter (RCD) reduziert Stromunfälle.

## Sicherheit von Personen

1. Bei der Verwendung von Elektrowerkzeugen muss der Bediener aufmerksam sein, sich konzentrieren und rational denken. Elektrowerkzeuge dürfen nicht verwendet werden, wenn der Bediener müde ist oder unter dem Einfluss von Drogen, Alkohol oder Medikamenten steht. Ein Moment der Unachtsamkeit bei der Verwendung von Elektrowerkzeugen kann zu schweren Verletzungen führen.
2. Tragen Sie eine persönliche Schutzausrüstung. Tragen Sie stets Augenschutz. Schutzausrüstungen wie Atemschutzmasken, Sicherheitsschuhe mit rutschfestem Belag, harte Kopfbedeckungen oder Gehörschutz, die entsprechend den Arbeitsbedingungen verwendet werden, verringern das Risiko von Personenverletzungen.
3. Ein unbeabsichtigtes Einschalten der Maschine muss vermieden werden. Vergewissern Sie sich, dass der Schalter auf „Aus“ steht, bevor Sie den Stecker in die Steckdose stecken und/oder den Akku anschließen, das Gerät anheben oder tragen. Das Tragen des Geräts mit dem Finger auf dem Schalter oder das Einstecken der Werkzeuggabel bei eingeschaltetem Schalter kann zu Unfällen führen.
4. Vor dem Einschalten des Geräts müssen alle Einstellwerkzeuge oder Einstellschlüssel entfernt werden. Das Einstellwerkzeug oder der Einstellschlüssel, der an einem rotierenden Teil

des Elektrowerkzeugs verbleibt, kann zu Verletzungen führen.

5. Der Bediener darf nur an Stellen arbeiten, die er sicher erreichen kann. Der Bediener muss stets eine stabile Körperhaltung einnehmen und das Gleichgewicht halten. Dies ermöglicht eine bessere Kontrolle des Elektrowerkzeugs in unvorhergesehenen Situationen.
6. Kleiden Sie sich angemessen. Tragen Sie weder lose Kleidung noch Schmuck. Der Bediener muss darauf achten, dass Haare und Kleidung von beweglichen Teilen ferngehalten werden. Lose Kleidung, Schmuck und lange Haare können von beweglichen Teilen erfasst werden.
7. Sind Vorrichtungen für den Anschluss von Staubabsaug- und -sammelgeräten vorhanden, so muss sichergestellt werden, dass diese Geräte ordnungsgemäß angeschlossen und verwendet werden. Durch den Einsatz dieser Geräte können die durch den entstehenden Staub verursachten Gefahren verringert werden.
8. Der Bediener darf nicht zulassen, dass er bei der Routine, die sich aus dem häufigen Gebrauch des Werkzeugs ergibt, zu selbstbewusst wird und er die Grundsätze der Werkzeugsicherheit ignoriert. Unvorsichtiges Handeln kann in Sekundenbruchteilen zu schweren Verletzungen führen.

## Verwendung und Wartung von Elektrowerkzeugen

1. Elektrowerkzeuge dürfen nicht überlastet werden. Es ist wichtig, die richtigen Elektrowerkzeuge für die durchzuführenden Arbeiten zu verwenden. Das richtige Elektrowerkzeug leistet mehr und ist sicherer bei der Arbeit, für die es entwickelt wurde.
2. Verwenden Sie keine Elektrowerkzeuge, die nicht mit einem Schalter ein- und ausgeschaltet werden können. Ein Elektrowerkzeug mit einem defekten Hauptschalter ist gefährlich und muss repariert werden.
3. Vor jeder Einstellung, jedem Zubehörwechsel oder jeder Lagerung des Elektrowerkzeugs müssen die Stecker aus der Steckdose gezogen und/oder der Akku aus dem Elektrowerkzeug entfernt werden, wenn er herausnehmbar ist. Diese vorbeugenden Sicherheitsmaßnahmen reduzieren das Risiko einer versehentlichen Inbetriebnahme des Elektrowerkzeugs.
4. Unbenutzte Elektrowerkzeuge müssen außer-



# SICHERHEITSHINWEISE

- halb der Reichweite von Kindern aufbewahrt werden, und Personen, die nicht mit Elektrowerkzeugen oder dieser Anleitung vertraut sind, dürfen sie nicht benutzen. Das Elektrowerkzeug könnte in den Händen von unerfahrenen Anwendern gefährlich sein.
5. Elektrowerkzeuge und Zubehör müssen gewartet werden. Die Ausrichtung der beweglichen Teile und ihre Beweglichkeit müssen überprüft werden, wobei auf Risse, gebrochene Teile und andere Umstände zu achten ist, die die Funktion des Elektrowerkzeugs beeinträchtigen könnten. Wenn das Werkzeug beschädigt ist, muss es vor der weiteren Verwendung repariert werden. Viele Unfälle sind auf die Anwendung eines falsch gewarteten Elektrowerkzeugs zurückzuführen.
  6. Schneidwerkzeuge müssen scharf und sauber gehalten werden. Ordnungsgemäß gewartete und geschärfte Schneidwerkzeuge verfangen sich seltener im Material oder verklemmen sich und sind leichter zu kontrollieren.
  7. Elektrowerkzeuge, Zubehör, Arbeitsgeräte usw. müssen unter Berücksichtigung der Arbeitsbedingungen und der Art der auszuführenden Arbeiten gemäß dieser Anleitung und in der für das jeweilige Elektrowerkzeug vorgeschriebenen Weise verwendet werden. Die Verwendung von Elektrowerkzeugen für andere Tätigkeiten als die, für die sie konzipiert wurden, kann zu gefährlichen Situationen führen.
  8. Griffe und Griffflächen müssen trocken, sauber und fettfrei gehalten werden. Rutschige Griffe und Griffflächen machen es unmöglich, das Werkzeug in unerwarteten Situationen sicher zu halten und zu kontrollieren.

## Service

1. Reparaturen an Elektrowerkzeugen müssen von einer qualifizierten Person durchgeführt werden, die identische Ersatzteile verwendet. Dadurch wird die Sicherheit des Elektrowerkzeugs auf dem gleichen Niveau wie vor der Reparatur gewährleistet.

## VERWENDUNG UND WARTUNG VON AKKUWERKZEUGEN

1. Werkzeuge dürfen nur mit dem vom Hersteller angegebenen Ladegerät geladen werden. Ein Ladegerät, das für einen Akkutyp geeignet ist, kann bei Verwendung mit einem anderen Akkutyp eine Brandgefahr darstellen.

2. Das Gerät darf nur mit einem Akkupack verwendet werden, der speziell für das Gerät entwickelt wurde. Die Verwendung anderer Akkupacks kann zu einem Stromschlag oder Brand führen.
3. Wenn der Akku nicht benutzt wird, muss er vor dem Kontakt mit anderen Metallgegenständen wie Büroklammern, Münzen, Schlüsseln, Nägeln, Schrauben oder anderen kleinen Metallgegenständen geschützt werden, die dazu führen könnten, dass sich ein Akkukontakt mit einem anderen verbindet. Ein Kurzschluss der Batteriekontakte kann Verbrennungen oder Feuer verursachen.

## SICHERHEITSHINWEISE FÜR BOHRER

### Sicherheitshinweise für alle Arbeitstätigkeiten

1. Beim Schlagbohren ist ein Gehörschutz zu tragen. Lärmbelastung kann zu Hörverlust führen.
2. Es müssen zusätzliche Griffe verwendet werden. Der Verlust der Kontrolle kann zu Verletzungen führen.
3. Vor der Verwendung des Werkzeugs muss man sich gut am Werkzeug anlegen. Diese Werkzeuge erzeugen ein hohes Ausgangsdrehmoment, und wenn Sie während des Betriebs nicht ordnungsgemäß am Werkzeug anliegen, kann es zu einem Kontrollverlust kommen, der zu Verletzungen führen kann.
4. Bei Arbeiten, bei denen das Bohrwerkzeug mit verdeckten Leitungen oder der eigenen Stromversorgung in Berührung kommen kann, muss das elektromechanische Werkzeug durch isolierte Griffflächen gehalten werden. Der Kontakt des Bohrwerkzeugs mit einem „spannungsführenden“ Leiter kann dazu führen, dass nicht isolierte Metallteile des Elektrowerkzeugs unter Spannung stehen, was zu einem Stromschlag für den Benutzer führen kann.

### Sicherheitshinweise bei der Verwendung von langen Bohrern

1. Betreiben Sie die Maschine niemals mit einer höheren Drehzahl als der maximalen Nennzahl des Bohrers. Bei höheren Drehzahlen kann sich der Bohrer verbiegen, wenn er sich frei drehen kann, ohne das Werkstück zu berühren, was zu Verletzungen führen kann.
2. Halten Sie die Drehzahl zu Beginn des Bohrens immer niedrig, und die Bohrspitze muss mit dem Werkstück in Kontakt sein. Bei höheren

# SICHERHEITSHINWEISE

Drehzahlen kann sich der Bohrer verbiegen, wenn er sich frei drehen kann, ohne das Werkstück zu berühren, was zu Verletzungen führen kann.

3. Drücken Sie nur in einer geraden Linie mit dem Bohrer und wenden Sie keinen übermäßigen Druck an. Die Bohrer können sich verbiegen und Risse oder Kontrollverluste verursachen, was zu Verletzungen führen kann.

# TECHNISCHE DATEN

<b>Maximales Drehmoment</b>	35 Nm
<b>Drehungen pro Minute (ohne Last)</b>	0-400/0-1400
<b>Bohrergröße</b>	2-13 mm
<b>Spannfutter</b>	1/2"×20 UNF

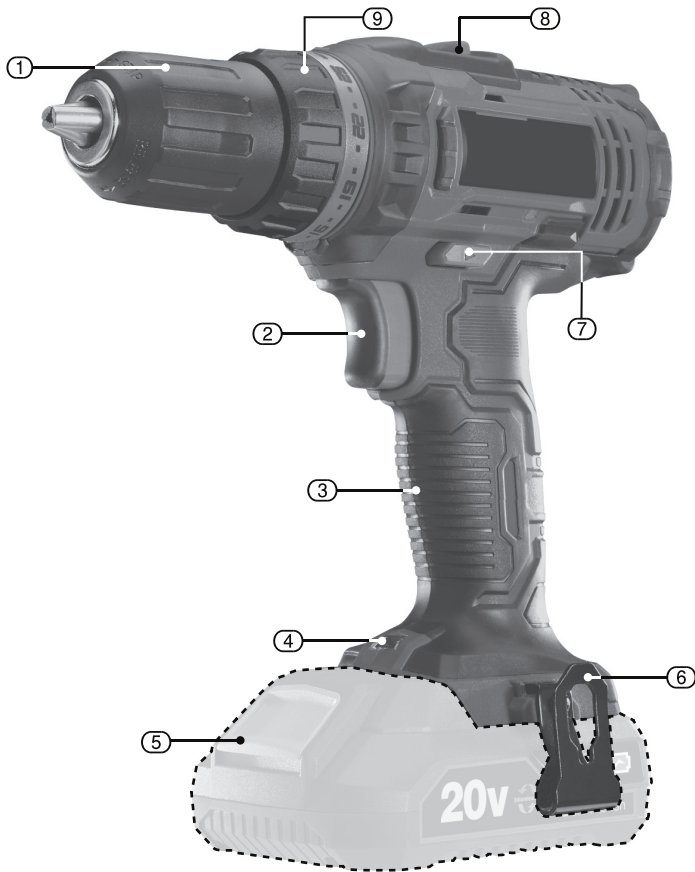
<b>Max. Lochdurchmesser:</b>	
<b>holz</b>	35 mm
<b>Baustahl</b>	13 mm

<b>Schalldruckpegel*</b>	73 dB(A), K=3 dB(A)
<b>Schalleistungspegel**</b>	84 dB(A), K=3 dB(A)
<b>Vibrationsniveau</b>	4,567 m/s <sup>2</sup> , K=1,5 m/s <sup>2</sup>
<b>Gewicht (nur Gerät)</b>	1,2 kg

\* Dauerschalldruckpegel mit Filter A für Handwerkzeuge, gemessen nach EN ISO 15744:1999 und angegeben nach EN ISO 4871.

\*\* Schalleistungspegel mit Filter A für Handwerkzeuge gemessen nach EN ISO 15744:1999 und aufgelistet nach EN ISO 4871.

# BESCHREIBUNG



- 1 Spannfutter 13 mm ohne Schlüssel
- 2 Schaltknopf mit Drehzahlregelung
- 3 Griff
- 4 LED-Licht
- 5 Wiederaufladbarer Li-Ionen-Akku 20 V / 2,0 Ah (separat erhältlich)
- 6 Gürtelschleife
- 7 Wahlschalter für die Drehrichtung
- 8 Getriebewähler
- 9 Drehmoment-Einstellung

# AUSPACKEN UND KONTROLLE

## **AUSPACKEN**

Packen Sie das Produkt vorsichtig aus dem Karton aus, entfernen Sie das Verpackungsmaterial und überprüfen Sie den Zustand auf eventuelle Transportschäden. Verbreiten Sie den Inhalt der Verpackung aus und überprüfen Sie das Zubehör auf Vollständigkeit, wie im nächsten Abschnitt beschrieben. Wenn etwas fehlt, wenden Sie sich an den Händler und verwenden Sie das Produkt nicht.

Bewahren Sie das Verpackungsmaterial mindestens für die Dauer der Garantiezeit auf, da es im Falle eines Versands verwendet werden muss.

## **Warnung!**

- Das Verpackungsmaterial kann für Kinder gefährlich sein. Produkt ist außer Reichweite von Kindern zu halten.
- Beachten Sie bei der Entsorgung der Verpackung die geltenden örtlichen Recyclingvorschriften.

# VORBEREITUNG DER BOHRMASCHINE

## LADEZUSTAND DES AKKUS

Sie können den Akkustand sofort überprüfen, indem Sie die Taste der Akkuanzeige drücken.

## TIPPS FÜR EINE EFFIZIENTE NUTZUNG DES AKKUS

- Laden Sie den Akku auf, bevor er vollständig entladen ist.
- Wenn die Leistung des Geräts nachlässt, verwenden Sie es nicht mehr und tauschen Sie den Akku aus oder laden Sie ihn auf. Die Verwendung des Geräts mit der letzten verbleibenden Akkuleistung kann zu einer Beschädigung des Akkus führen.
- Laden Sie den Akku nicht bei hohen Temperaturen. Unmittelbar nach dem Gebrauch ist der Akku heiß. Wird ein solcher Akku aufgeladen, wird die chemische Struktur der Zellen abgebaut und die Lebensdauer des Akkus verkürzt sich. Lassen Sie daher den Akku vor dem Laden abkühlen.
- Die Akkus können nur in einem Temperaturbereich von 5 °C bis 30 °C geladen und verwendet werden. Es besteht die Gefahr von Zellschäden. Lassen Sie den Akku immer auf Normaltemperatur kommen.

**Bemerkung:** Die Nichtbeachtung dieser Anweisungen kann zu Schäden am Akku und dem Ladegerät oder zu Verletzungen führen.

# GRUNDLEGENDE VERWENDUNG

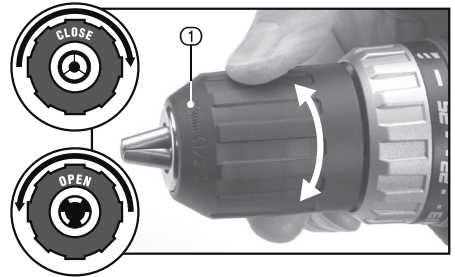
## BEFESTIGEN UND ENTFERNEN DES BOHRERS

**Bemerkung:** Das Produkt ist mit einer elektrischen Bremse ausgestattet.

Die Bohrmaschine ist mit einem Spannfutter ausgestattet, das die Befestigung des Bohrers ohne Werkzeug ermöglicht. Ein Schlüssel zum Spannen und Lösen des Bohrers oder Schraubaufsatzes ist nicht erforderlich.

- Führen Sie den Schaft des Bohrers so weit wie möglich in die Bohrung des Spannfutters ein.
- Ziehen Sie das Spannfutter von Hand fest an.

**Bemerkung:** Die kurzen Schraubendreherbits werden einfach zwischen die Backen gesteckt.



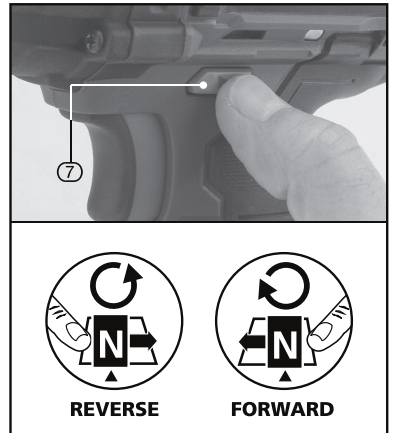
## AUSWAHL DER DREHRICHTUNG

REVERSE=ZURÜCK, FORWARD=VORWÄRTS

Mit dem Drehrichtungsschalter (7) können Sie die Drehrichtung der Spindel ändern.

### Ändern Sie die Drehrichtung:

- Stellen Sie den Motor ab und drücken Sie den Knopf (7) von links oder rechts.
- Wenn der Schalter nach links gedrückt wird, dreht sich die Bohrmaschine nach rechts (vorwärts).
- Wenn der Schalter nach rechts gedrückt wird, dreht sich die Bohrmaschine nach links (rückwärts).
- Vergewissern Sie sich vor der Benutzung, dass sich der Schalter in der richtigen, erwarteten Position befindet. Die Richtung kann nicht geändert werden, während die Maschine läuft, warten Sie immer, bis die Bohrmaschine zum Stillstand gekommen ist.
- Wenn Sie die Bohrmaschine nicht benutzen, können Sie den Richtungsschalter in die neutrale Position (Mitte) stellen, wenn der Motorschalter gesperrt ist.



**Bemerkung:** Wenn sich der Schalter nicht in der neutralen Position befindet, kann der Schalter versehentlich gedrückt werden und die Bohrmaschine unbeabsichtigt eingeschaltet werden. Andernfalls kann es zu Schäden an der Maschine oder zu Verletzungen kommen.

## SCHALTER MIT DREHZAHLREGELUNG

Wenn der Schalter (2) gedrückt wird, dreht sich die Bohrspindel (vorausgesetzt, der Richtungswähler (7) befindet sich in einer der Extrempositionen). Dieser Schalter wird auch zur stufenlosen elektronischen Regelung der Drehzahl verwendet.

- Die Geschwindigkeit der Drehung hängt von der Stärke des Drucks auf den Schaltknopf ab.
- Je tiefer er gedrückt wird, desto schneller dreht sich die Bohrmaschine.
- Die Spindel dreht sich langsamer, wenn die Presse schwächer ist.

# GRUNDLEGENDE VERWENDUNG

## WAHL DES DREHMOMENTS

Durch Drehen des Rings (9) um das Futter kann das maximale Drehmoment eingestellt werden, das die Maschine erreicht.

- Mit den Einstellungen 1-25 können Sie das maximale Drehmoment auswählen. Dies ist z.B. bei wiederholtem Verschrauben mehrerer gleicher Schrauben sinnvoll, die nach der Drehmomenteinstellung mit gleicher Kraft angezogen werden und bei Senkkopfschrauben gleich tief im Material sitzen.
- Bei der richtigen Drehmomenteinstellung bricht die Schraube mit dem kleinen Durchmesser nicht.

## ZWEIGANG-GETRIEBE

- Wählen Sie den niedrigeren Gang 1 (niedrigere Drehzahl und höheres Drehmoment) für Schraubarbeiten und große Bohrdurchmesser.
- Der höhere Gang 2 (höhere Geschwindigkeit und geringere Kraft) wird zum Bohren von Löchern verwendet.

## GÜRTELCLIP

Der Gürtelclip (6) dient zur vorübergehenden Aufhängung der Bohrmaschine. Der Clip kann auf beiden Seiten der Bohrmaschine angebracht werden.

### Anbringen des Clips:

- Stellen Sie den Clip (6) in die richtige Position und sichern Sie ihn mit der mitgelieferten Schraube. Ziehen Sie die Schraube vorsichtig an, um die Gewinde in der Maschine nicht abzuscheren.

## LED-BELEUCHTUNG

Das Licht (4) leuchtet automatisch auf, wenn der Bohrschalter gedrückt wird, was die Arbeit in engen und schlecht beleuchteten Bereichen erleichtert.

## SCHRAUBEN

Wählen Sie die Größe und den Typ des Schraubendrehereinsatzes entsprechend dem Schraubenkopf, damit das Werkzeug nicht abrutscht oder den Kopf beschädigt.

### Entfernen der Schraube:

- Stellen Sie den Drehrichtungsschalter auf Linkslauf und drücken Sie langsam auf den Schalter, während Sie Druck auf die Schraube ausüben.

Schraubendreherbits sind Verbrauchsmaterial.

### Warnung!

- Vergewissern Sie sich vor dem Bohren, dass sich unter dem Bohrmaterial keine gefährlichen Gegenstände wie Gas-, Wasser- und Stromleitungen usw. befinden. Prüfen Sie mit einem geeigneten Detektor.
- Setzen Sie die Bohrmaschine oder das Ladegerät nicht Regen oder Feuchtigkeit aus.
- Überladen Sie den Akku nicht (länger als 6 Stunden), die Zellen könnten beschädigt werden.

## BOHREN VON HOLZ UND KUNSTSTOFF



# GRUNDLEGENDE VERWENDUNG

Um ein Ausfransen der Lochkanten auf der Unterseite des Materials zu verhindern, unterlegen Sie es mit einem Zuschnitt desselben Materials an der zukünftigen Lochstelle.

## BOHREN VON METALL

Es ist möglich, Metalle wie Baustahl und Nichteisenmetalle zu bohren. Dabei sind einige Tipps sehr hilfreich.

- Markieren Sie die Mitte des Lochs mit einem Bohrer, um ein Verrutschen des Bohrers zu verhindern.
- Ein Tropfen Öl an der zukünftigen Bohrstelle erleichtert das Bohren und verlängert die Lebensdauer des Bohrers.

**Bemerkung:** Auch wenn diese Bohrmaschine zum Bohren von Metallen geeignet ist, kann die Drehzahl nicht für alle Anwendungen geeignet sein und das beste Ergebnis liefern. Seien Sie besonders vorsichtig, wenn Sie in Metall bohren, da es hier zu allerlei Komplikationen kommen kann.

## WARTUNG

Regelmäßige Inspektionen und Reinigungen der Maschine verringern die Notwendigkeit von Serviceeinsätzen und halten die Maschine in gutem Zustand.

Der Motor muss während des Betriebs ausreichend gekühlt werden. Halten Sie die Lüftungsöffnungen sauber und saugen Sie sie regelmäßig von Staub frei.

## PROBLEMBEHEBUNG

**Bemerkung:** Nehmen Sie den Akku vor der Einstellung und Wartung aus der Bohrmaschine.

Problem	Mögliche Ursache	Lösung
<b>Der Motor springt nicht an.</b>	<ul style="list-style-type: none"><li>- Der Akku ist leer.</li><li>- Die Drehrichtung ist nicht gewählt.</li><li>- Der Akku ist defekt.</li></ul>	<ul style="list-style-type: none"><li>- Laden Sie den Akku auf oder tauschen Sie ihn aus.</li><li>- Wählen Sie die Richtung mit Hilfe des Schalters.</li><li>- Tauschen Sie den Akku aus.</li></ul>
<b>Der Motor läuft, aber langsam/ ohne Leistung.</b>	<ul style="list-style-type: none"><li>- Der Akku ist leer.</li><li>- Der Akku ist defekt.</li></ul>	<ul style="list-style-type: none"><li>- Laden Sie den Akku auf oder tauschen Sie ihn aus.</li><li>- Tauschen Sie den Akku aus.</li></ul>
<b>Das Spannfutter hält den Bohrer nicht oder lässt sich nicht festziehen.</b>	<ul style="list-style-type: none"><li>- Staub und Späne im Spannfutter.</li></ul>	<ul style="list-style-type: none"><li>- Reinigen Sie das Innere des Futters mit Reinigungsflüssigkeit.</li></ul>
<b>Akku wird nicht aufgeladen/ leuchtet nicht/Ladegerät leuchtet nicht.</b>	<ul style="list-style-type: none"><li>- Das Ladegerät wird nicht mit Strom versorgt.</li><li>- Das Ladegerät ist defekt.</li></ul>	<ul style="list-style-type: none"><li>- Prüfen Sie die Sicherungen.</li><li>- Tauschen Sie das Ladegerät aus.</li></ul>

**Wichtig:** Alle Reparaturen an der Maschine dürfen nur von einer qualifizierten Person durchgeführt werden.

# EU-KONFORMITÄTSERKLÄRUNG

## Identifikationsangaben zum bevollmächtigten Vertreter des Herstellers / Importeur:

Hersteller: Alza.cz, a. s.

Registrierter Sitz: Jankovcova 1522/53, Holešovice, 170 00 Praha 7

IdNr.: 27082440

## Gegenstand der Erklärung:

Name: Akkubohrer

Modell/Typ: AT-CD20V

**Das oben angeführte Produkt wurde im Einklang mit der Norm (den Normen) getestet, welche die Konformität mit den grundlegenden Anforderungen der gegebenen Richtlinie (Richtlinien) bescheinigen.**

Maschinenrichtlinie 2006/42/EC

Elektromagnetische Verträglichkeit (EMV) Richtlinie 2014/30/EU

Richtlinie ROHS 2011/65/EU und (EU) 2015/863

## Verweis auf harmonisierte Normen:

EN62841-1:2015

EN 62841-2-1:2018/A11:2019

EN55014-1:2017

EN55014-2:2015

## Es wurde eine EG-Baumusterprüfung durchgeführt:

No. 0123 TÜV SÜD Product Service GmbH, Certification Body, Ridlerstraße 65, 80339 Munich, Germany

Zertifikat Nummer: M8A 063263 0133

## Die technischen Unterlagen sind hinterlegt bei:

Alza.cz, a. s.

Jankovcova 1522/53, Holešovice, 170 00 Praha 7

Das Herstellungsjahr der Maschine und die Seriennummer sind auf der Maschine angegeben.

Ing. Jan Melena

Business Development Manager

Sales and Purchasing; Private Labels



In Prag den 22. 9. 2021



# BEZPEČNOSTNÍ POKYNY

## VYSVĚTLENÍ SYMBOLŮ NA BALENÍ/TYPOVÉM ŠTÍTKU PRODUKTU



Před použitím pečlivě čtěte návod k obsluze!



Noste ochranné rukavice.



Noste ochranu úst a nosu.



Noste protihlukovou ochranu sluchu.



Noste ochranné brýle.



Nevhazujte baterie do vody!



Chraňte před deštěm a vlhkem.



Chraňte před horkem a ohněm.



Dbejte na správnou recyklaci produktu po konci životnosti i veškerých obalových materiálů.



Nelikvidujte baterie spolu s běžným domovním odpadem.



Nevhazujte baterie do ohně!



Nevystavujte baterie nadměrným teplotám vyšším než 50 °C.



Akumulátor během přerušení práce, přepravy, skladování, údržby nebo opravy vždy vyjměte.

## OBCENÉ BEZPEČNOSTNÍ POKYNY PRO ELEKTRICKÁ NÁŘADÍ

**VÝSTRAHA! Je nutno přečíst všechny bezpečnostní pokyny, návod k používání, obrázky a předpisy dodané s tímto nářadím. Nedodržení veškerých následujících pokynů může vést k úrazu elektrickým proudem, ke vzniku požáru a/nebo k vážnému zranění osob.**

**Veškeré pokyny a návod k používání se musí uschovat, aby bylo možné do nich později nahlédnout.**

### Bezpečnost pracovního prostředí

1. Pracoviště je nutné udržovat v čistotě a dobře osvětlené. Nepořádek a tmavé prostory bývají příčinou nehod.
2. Elektrické nářadí se nesmí používat v prostředí s nebezpečím výbuchu, kde se vyskytují hořlavé kapaliny, plyny nebo prach. V elektrickém nářadí vznikají jiskry, které mohou zapálit prach nebo výpary.
3. Při používání elektrického nářadí je nutno zabránit přístupu dětí a dalších osob. Bude-li obsluha vyrušována, může ztratit kontrolu nad prováděnou činností.

### Elektrická bezpečnost

1. Vidlice pohyblivého přívodu elektrického nářadí musí odpovídat síťové zásuvce. Vidlice se nesmí nikdy jakýmkoli způsobem upravovat. S nářadím, které má ochranné spojení se zemí, se nesmí používat žádné zásuvkové adaptéry. Vidlice, které jsou znehodnoceny úpravami, a odpovídající zásuvky omezí nebezpečí úrazu elektrickým proudem.
2. Obsluha se nesmí tělem dotýkat uzemněných předmětů, jako např. potrubí, tělesa ústředního topení, sporáky a chladničky. Nebezpečí úrazu elektrickým proudem je větší, je-li vaše tělo spojeno se zemí.
3. Elektrické nářadí se nesmí vystavovat dešti, vlhku nebo moku. Vnikne-li do elektrického nářadí voda, zvyšuje se nebezpečí úrazu elektrickým proudem.
4. Pohyblivý přívod se nesmí používat k jiným účelům. Elektrické nářadí se nesmí nosit nebo tahat za přívod, ani se nesmí tahem za přívod odpojovat vidlice ze zásuvky. Přívod je nutno chránit před horkem, mastnotou, ostrými hranami nebo pohyblivými částmi. Poškozené nebo zamotané přívody zvyšují nebezpečí úra-

# BEZPEČNOSTNÍ POKYNY

zu elektrickým proudem.

5. Je-li elektrické nářadí používáno venku, musí se použít prodlužovací přívod vhodný pro venkovní použití. Používání prodlužovacího přívodu pro venkovní použití omezuje nebezpečí úrazu elektrickým proudem.
6. Používá-li se elektrické nářadí ve vlhkých prostorech, je nutné používat napájení chráněné proudovým chráničem (RCD). Používání RCD omezuje nebezpečí úrazu elektrickým proudem.

## Bezpečnost osob

1. Při používání elektrického nářadí musí být obsluha pozorná, musí se věnovat tomu, co právě dělá, a musí se soustředit a střídavě uvažovat. Elektrické nářadí se nesmí používat, je-li obsluha unavena nebo pod vlivem drog, alkoholu nebo léků. Chvilková nepozornost při používání elektrického nářadí může vést k vážnému poranění osob.
2. Používat osobní ochranné pracovní prostředky. Vždy používat ochranu očí. Ochranné pomůcky jako např. respirátor, bezpečnostní obuv s protiskluzovou úpravou, tvrdá pokrývka hlavy nebo ochrana sluchu, používané v souladu s podmínkami práce, snižují nebezpečí poranění osob.
3. Je nutné vyvarovat se neúmyslnému spuštění stroje. Je nutno se ujistit, že je spínač před zapojením vidlice do zásuvky a/nebo při připojování bateriové soupravy, zvedáním či přenášením nářadí v poloze vypnuto. Přenášení nářadí s prstem na spínači nebo zapojování vidlice nářadí se zapnutým spínačem může být příčinou nehod.
4. Před zapnutím nářadí je nutno odstranit všechny seřizovací nástroje nebo klíče. Seřizovací nástroj nebo klíč, který zůstane připevněn k otáčející se části elektrického nářadí, může být příčinou poranění osob.
5. Obsluha musí pracovat jen tam, kam bezpečně dosáhne. Obsluha musí vždy udržovat stabilní postoj a rovnováhu. To umožní lepší kontrolu nad elektrickým nářadím v nepředvídaných situacích.
6. Oblékat se vhodným způsobem. Nenosit volné oděvy ani šperky. Obsluha musí dbát, aby měla vlasy a oděv dostatečně daleko od pohyblivých částí. Volné oděvy, šperky a dlouhé vlasy mohou být zachyceny pohyblivými se částmi.
7. Jsou-li k dispozici prostředky pro připojení za-

řízení k odsávání a sběru prachu, je nutno zajistit, aby se taková zařízení připojila a správně používala. Použití těchto zařízení může omezit nebezpečí způsobené vznikajícím prachem.

8. Obsluha nesmí dopustit, aby se kvůli rutině, která vychází z častého používání nářadí, stala samolibou, a začala ignorovat zásady bezpečnosti nářadí. Neopatrná činnost může ve zlomku vteřiny způsobit závažné poranění.

## Používání a údržba elektrického nářadí

1. Elektrické nářadí se nesmí přetěžovat. Je nutné používat správné elektrické nářadí, které je určené pro prováděnou práci. Správné elektrické nářadí bude lépe a bezpečněji vykonávat práci, pro kterou bylo konstruováno.
2. Nesmí se používat elektrické nářadí, které nelze zapnout a vypnout spínačem. Jakékoliv elektrické nářadí, které nelze ovládat spínačem, je nebezpečné a musí být opraveno.
3. Před jakýmkoliv seřizováním, výměnou příslušenství nebo před uskladněním elektrického nářadí je nutno vytáhnout vidlice ze síťové zásuvky a/nebo odejmout bateriovou soupravu z elektrického nářadí, je-li odnímatelná. Tato preventivní bezpečnostní opatření omezují nebezpečí nahodilého spouštění elektrického nářadí.
4. Nepoužívané elektrické nářadí je nutno skladovat mimo dosah dětí a nesmí se dovolit osobám, které nebyly seznámeny s elektrickým nářadím nebo s těmito pokyny, aby nářadí používaly. Elektrické nářadí je v rukou nezkušených uživatelů nebezpečné.
5. Elektrické nářadí a příslušenství je nutno udržovat. Je třeba kontrolovat seřízení pohyblivých se částí a jejich pohyblivost, soustředit se na praskliny, zlomené součásti a jakékoliv další okolnosti, které mohou ohrozit funkci elektrického nářadí. Je-li nářadí poškozeno, před dalším použitím je nutno zajistit jeho opravu. Mnoho nehod je způsobeno nedostatečně udržovaným elektrickým nářadím.
6. Řezací nástroje je nutno udržovat ostré a čisté. Správně udržované a naostřené řezací nástroje s menší pravděpodobností zachytí za materiál nebo se zablokují a práce s nimi se snáze kontroluje.
7. Elektrické nářadí, příslušenství, pracovní nástroje atd. je nutno používat v souladu s těmito pokyny a takovým způsobem, jaký byl předepsán

# BEZPEČNOSTNÍ POKYNY

pro konkrétní elektrické nářadí, a to s ohledem na dané podmínky práce a druhu prováděné práce. Používání elektrického nářadí k provádění jiných činností, než pro jaké bylo určeno, může vést k nebezpečným situacím.

8. Rukojeti a úchopové povrchy je nutno udržovat suché, čisté a bez mastnot. Kluzké rukojeti a úchopové povrchy neumožňují v neočekávaných situacích bezpečné držení a kontrolu nářadí.

## Servis

1. Opravy elektrického nářadí je nutno svěřovat kvalifikované osobě, která bude používat identické náhradní díly. Tímto způsobem bude zajištěna stejná úroveň bezpečnosti elektrického nářadí jako před opravou.

## POUŽÍVÁNÍ A ÚDRŽBA BATERIOVÉHO NÁŘADÍ

1. Nářadí je nutno nabíjet pouze s nabíječem, který je určen výrobcem. Nabíječ, který může být vhodný pro jeden typ bateriové soupravy, může být při použití s jinou bateriovou soupravou příčinou nebezpečí požáru.
2. Nářadí je nutno používat pouze s bateriovou soupravou, která je výslovně určena pro dané nářadí. Používání jakýchkoli jiných bateriových souprav může být příčinou nebezpečí úrazu nebo požáru.
3. Není-li bateriová souprava právě používána, musí se chránit před stykem s jinými kovovými předměty, jako jsou kancelářské sponky, mince, klíče, hřebíky, šrouby nebo jiné malé kovové předměty, které mohou způsobit spojení jednoho kontaktu baterie s druhým. Zkratování kontaktů baterie může způsobit popáleniny nebo požár.

## BEZPEČNOSTNÍ POKYNY PRO VRTAČKY

### Bezpečnostní pokyny pro všechny pracovní činnosti

1. Při vrtání s přiklepem je nutno používat ochranu sluchu. Vystavení vlivu hluku může způsobit ztrátu sluchu.
2. Je třeba používat předávnou rukojeť (rukojeti). Ztráta kontroly může způsobit poranění osob.
3. Před použitím nářadí je nutno se proti nářadí řádně zapřít. Toto nářadí produkuje vysoký výstupní krouticí moment a bez řádného zapření proti nářadí během činnosti může dojít ke ztrá-

tě kontroly, která může vyústit v poranění osob.

4. Při provádění činnosti, kde se vrtací nástroj může dotknout skrytého vedení nebo svého vlastního přívodu, je nutno držet elektromechanické nářadí za izolované úchopové povrchy. Dotyk vrtacího nástroje s „živým“ vodičem může způsobit, že se neizolované kovové části elektromechanického nářadí stanou „živými“ a mohou vést k úrazu uživatele elektrickým proudem.

### Bezpečnostní pokyny v případě použití dlouhých vrtáků

1. Nikdy nepoužívejte stroj na vyšší otáčky, než jsou maximální jmenovité otáčky vrtáku. Při vyšších otáčkách je pravděpodobné, že se vrták ohne, jestliže se nechá točit volně, aniž by byl v kontaktu s obrobkem, což může vést k poranění osob.
2. Na začátku vrtání je nutno mít vždy nízké otáčky a špička vrtáku se musí dotýkat obrobku. Při vyšších otáčkách je pravděpodobné, že se vrták ohne, jestliže se nechá točit volně, aniž by byl v kontaktu s obrobkem, což může vést k poranění osob.
3. Je nutno tlačit pouze v přímém směru s vrtákem a nesmí se působit nadměrným tlakem. Vrtáky se mohou ohnout a mohou prasknout nebo způsobit ztrátu kontroly, což může vést k poranění osob.

# TECHNICKÉ ÚDAJE

<b>Maximální moment</b>	35 Nm
<b>Otáčky za minutu (bez zátěže)</b>	0-400/0-1400
<b>Velikost vrtáku</b>	2-13 mm
<b>Sklíčidlo</b>	1/2"×20 UNF

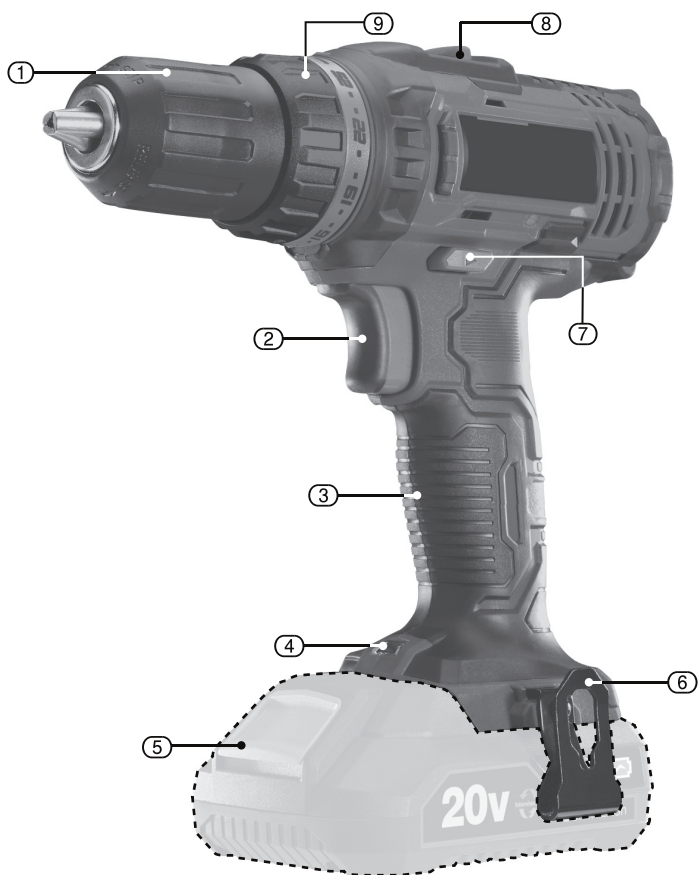
<b>Max. průměr otvoru:</b>	
<b>dřevo</b>	35 mm
<b>měkká ocel</b>	13 mm

<b>Hladina akustického tlaku*</b>	73 dB(A), K=3 dB(A)
<b>Hladina akustického výkonu**</b>	84 dB(A), K=3 dB(A)
<b>Úroveň vibrací</b>	4,567 m/s <sup>2</sup> , K=1,5 m/s <sup>2</sup>
<b>Hmotnost (pouze stroj)</b>	1,2 kg

\* Trvalá hladina akustického tlaku s filtrem A pro ruční nářadí změřena podle normy EN ISO 15744:1999 a uvedena podle EN ISO 4871.

\*\* Hladina akustického výkonu s filtrem A pro ruční nářadí změřena podle normy EN ISO 15744:1999 a uvedena podle EN ISO 4871.

# POPIS



- 1 13 mm sklíčidlo bez klíčky
- 2 Tlačítko vypínače s regulací rychlosti
- 3 Rukojeť
- 4 Světlo LED
- 5 Akumulátorová baterie Li-ion 20 V /2,0 Ah (prodávána samostatně)
- 6 Poutko na opasek
- 7 Volič směru otáčení
- 8 Volič převodu
- 9 Prsteneц nastavení momentu

# ROZBALENÍ A KONTROLA

## ROZBALENÍ

Výrobek opatrně vybalte z krabice, odstraňte obalový materiál a zkontrolujte stav na případná poškození při přepravě. Rozložte si obsah balení a zkontrolujte úplnost příslušenství podle dalšího odstavce. Jestliže něco chybí, obraťte se na prodejce a výrobek nepoužívejte.

Obalový materiál si uschovejte nejméně po dobu záruky, musí být použit v případě odeslání.

## Varování!

- Obalový materiál může být nebezpečný pro děti. Nenechávejte jej v dosahu dětí.
- Při likvidaci obalu postupujte podle platných místních předpisů pro recyklaci.



# PŘÍPRAVA VRTAČKY

## STAV NABÍTÍ BATERIE

Okamžitý stav nabití baterie můžete zkontrolovat stiskem tlačítka indikátoru baterie.

## TIPY PRO EFEKTIVNÍ POUŽITÍ BATERIE

- Baterie nabíjejte dříve, než jsou zcela vybité.
- Jestliže se výkon stroje sníží, přestaňte jej používat a vyměňte nebo nabijte baterii. Používání stroje s posledním zbytkem energie v baterii může vést k poškození baterie.
- Nenabíjejte baterie při vysoké teplotě. Bezprostředně po použití jsou baterie horké. Jestliže se taková baterie nabíjí, dochází k degradaci chemické struktury článků a životnost baterie se zkracuje. Nechte proto baterie vychladnout před nabíjením.
- Baterie je možné nabíjet a používat pouze v teplotním rozsahu 5 °C až 30 °C. Hrozí poškození článků. Nechte vždy baterie dosáhnout normální teploty.

**Poznámka:** Neuposlechnutí těchto pokynů může vést k poškození baterií i nabíječe nebo ke zranění osob.

# ZÁKLADNÍ POUŽITÍ

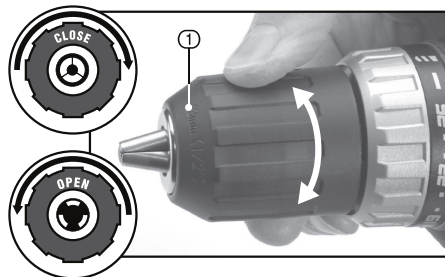
## UPEVNĚNÍ A VYJMUTÍ VRTÁKU

**Poznámka:** Výrobek je vybaven elektrickou brzdou.

Vrtačka je vybavena sklíčidlem, které umožňuje upevnění vrtáku bez použití nástrojů. K upevnění a uvolnění vrtáku či šroubovacích nástavců není třeba klíčky.

- Dřík vrtáku zasuňte do otvoru sklíčidla tak hluboko, jak je to možné.
- Utáhněte sklíčidlo pevně rukou.

**Poznámka:** Krátké šroubovací bity stačí zasunout mezi čelisti.



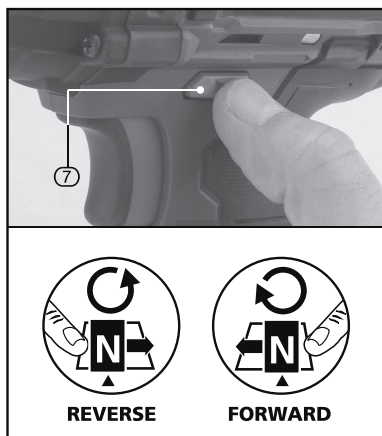
## VOLBA SMĚRU OTÁČENÍ

REVERSE=ZPĚT, FORWARD=VPŘED

Přepínač směru otáčení (7) umožňuje změnit směr otáčení vřetene.

### Změna směru otáčení:

- Zastavte motor a stiskněte tlačítko (7) zleva nebo zprava.
- Je-li přepínač stisknut doleva, vrtačka se otáčí doprava (vpřed).
- Je-li přepínač stisknut doprava, vrtačka se otáčí doleva (vzad).
- Před použitím se vždy ujistěte, že je přepínač ve správné očekávané poloze. Směr nelze měnit za chodu stroje, vždy vyčkejte úplného zastavení vrtačky.
- Jestliže vrtačku nepoužíváte, můžete uvést přepínač směru do neutrální polohy (uprostřed), kdy je spínač motoru uzamčen.



**Poznámka:** Jestliže není přepínač v neutrální poloze, může náhodně dojít ke stisknutí vypínače a nechtěnému zapnutí vrtačky. Přitom může dojít k poškození stroje nebo zranění.

## SPÍNAČ S REGULACÍ OTÁČEK

Je-li stisknut vypínač (2), vřeteno vrtačky se otáčí (za předpokladu, že je volič směru (7) v některé z krajních poloh). Tento vypínač zároveň slouží k plynulé elektronické regulaci rychlosti otáčení.

- Rychlost otáčení závisí na stupni stisknutí tlačítka vypínače.
- Čím hlouběji je stisknuto, tím rychleji se vrtačka točí.
- Při slabším stisknutí se vřeteno točí pomaleji.

## VOLBA MOMENTU

Otáčením prstencem (9) okolo sklíčidla je možné nastavit maximální kroutivý moment, jehož stroj dosáhne.

- Nastavení 1-25 umožňuje volit maximální moment. To se hodí např. pro opakované šroubování více

# ZÁKLADNÍ POUŽITÍ

stejných šroubů, které jsou po nastavení momentu utahovány stejnou silou a v případě šroubů se zápusťnou hlavou jsou stejně hluboko v materiálu.

- Při správném nastavení momentu nedochází k přetržení šroubu malého průměru.

## DVOURYCHLOSTNÍ PŘEVODOVKA

- Nižší převod 1 (nižší rychlost a vyšší moment) volte pro šroubování a velké průměry vrtáků.
- Vyšší převod 2 (vyšší otáčky a menší síla) slouží pro vrtání otvorů.

## SPONA NA OPASEK

Pérová spona (6) pro zavěšení na opasek slouží k dočasnému zavěšení vrtačky. Sponu je možné namontovat na obě strany vrtačky.

### Instalace spony:

- Nastavte sponu (6) do vhodné polohy a zajistěte přiloženým šroubem. Šroub utahujte opatrně, abyste nestrhli závit ve stroji.

## LED OSVĚTLENÍ

Světlo (4) se automaticky rozsvítí po stisknutí vypínače vrtačky a usnadní práci v těsných a špatně osvětlených místech.

## ŠROUBOVÁNÍ

Velikost a typ šroubovacího bitu volte podle hlavy šroubu, zabráníte sklouznutí nástroje nebo poškození hlavy.

### Vyjmutí šroubu:

- Přesuňte přepínač směru otáčení do polohy otáčení vlevo a za tlaku na šroub pomalu tiskněte vypínač.

Šroubovací bity jsou spotřební materiál.

### Varování!

- Před vrtáním se ujistěte, že pod vrtaným materiálem nejsou skryty nebezpečné předměty, jako vedení plynu, vody a elektřiny apod. Ověřte vhodným detektorem.
- Vrtačku ani nabíječ nářadí nevystavujte dešti a vlhkosti.
- Akumulátor nepřebíjejte (déle než 6 hodin), může dojít k poškození článků.

## VRTÁNÍ DŘEVA A PLASTU

Chcete-li zabránit roztržení okrajů otvoru na spodní straně materiálu, podložte jej odřezkem téhož materiálu v místě budoucího otvoru.

## VRTÁNÍ KOVU

Je možné vrtat kovy jako měkkou ocel a barevné kovy. Přitom se hodí některé tipy.

- Označte si střed otvoru důlkovačem, aby vrták neskouzl.
- Kapka oleje v místě budoucího otvoru usnadní vrtání a prodlouží životnost vrtáku.

# ZÁKLADNÍ POUŽITÍ

**Poznámka:** Jakkoli je vrtání kovů v možnostech této vrtačky, rychlost otáčení nemusí vyhovovat pro všechny aplikace a poskytnout nejlepší výsledek. Dbejte zvláštní pozornosti při vrtání do kovu, hrozí nejrůznější komplikace.

## ÚDRŽBA

Pravidelné prohlídky a čištění stroje snižuje potřebu servisních zásahů a udržuje stroj v dobré kondici. Při práci musí být motor dostatečně chlazen. Dbejte na čistotu větracích otvorů a pravidelně je vysávejte od prachu.

## ŘEŠENÍ POTÍŽÍ

**Poznámka:** Před nastavením a údržbou odejměte baterii z vrtačky.

Problém	Možná příčina	Řešení
<b>Motor se nespustí.</b>	<ul style="list-style-type: none"><li>- Baterie je vybitá.</li><li>- Není zvolen směr otáčení.</li><li>- Baterie je vadná.</li></ul>	<ul style="list-style-type: none"><li>- Nabijte či vyměňte baterii.</li><li>- Zvolte směr přepínačem.</li><li>- Vyměňte baterii.</li></ul>
<b>Motor běží, ale pomalu / nemá výkon.</b>	<ul style="list-style-type: none"><li>- Baterie je vybitá.</li><li>- Baterie je vadná.</li></ul>	<ul style="list-style-type: none"><li>- Nabijte či vyměňte baterii.</li><li>- Vyměňte baterii.</li></ul>
<b>Skličidlo nedrží vrták nebo nejde utáhnout.</b>	<ul style="list-style-type: none"><li>- Prach a třísky ve skličidle.</li></ul>	<ul style="list-style-type: none"><li>- Vyčistěte vnitřek skličidla čisticí kapalinou.</li></ul>
<b>Baterie se nenabíjí/nesvítlí/nabíječ nesvítlí.</b>	<ul style="list-style-type: none"><li>- Nabíječ není napájen.</li><li>- Nabíječ je vadný.</li></ul>	<ul style="list-style-type: none"><li>- Zkontrolujte pojistky.</li><li>- Vyměňte nabíječ.</li></ul>

**Důležité:** Veškeré opravy stroje smí provádět pouze kvalifikovaná osoba.

# EU PROHLÁŠENÍ O SHODĚ

## Identifikační údaje o zplnomocněném zástupci výrobce / dovozci:

Výrobce: Alza.cz, a. s.

Registrované sídlo: Jankovcova 1522/53, Holešovice, 170 00 Praha 7

IČO: 27082440

## Předmět prohlášení:

Název: Aku vrtačka

Model/Typ: AT-CD20V

## Výše uvedený produkt byl testován v souladu s normou (normami) používanými k prokázání souladu se základními požadavky stanovené směrnicí (směrnic):

Strojová směrnice 2006/42/EC

Směrnice o elektromagnetické kompatibilitě (EMC) 2014/30/EU

Směrnice ROHS 2011/65/EU a (EU) 2015/863

## Odkaz na harmonizované normy:

EN62841-1:2015

EN 62841-2-1:2018/A11:2019

EN55014-1:2017

EN55014-2:2015

## ES přezkoušení typu bylo provedeno u:

No. 0123 TÜV SÜD Product Service GmbH, Certification Body, Ridlerstraße 65, 80339 Munich, Germany

Číslo certifikátu: M8A 063263 0133

## Technické podklady jsou uloženy u:

Alza.cz, a. s.

Jankovcova 1522/53, Holešovice, 170 00 Praha 7

Rok výroby stroje a výrobní číslo jsou uvedeny na stroji.

Ing. Jan Melena

Business Development Manager

Sales and Purchasing; Private Labels



V Praze dne 22. 9. 2021



# BEZPEČNOSTNÉ POKYNY

## VYSVETLENIE SYMBOLOV NA BALENÍ/TYPOVOM ŠTÍTKU PRODUKTU



Pred použitím pozorne čítajte návod na obsluhu!



Noste ochranné rukavice.



Noste ochranu úst a nosa.



Noste protihlukovú ochranu sluchu.



Noste ochranné okuliare.



Nevhadzujte batérie do vody!



Chráňte pred dažďom a vlhkom.



Chráňte pred horúčavou a ohňom.



Dbajte na správnu recykláciu produktu po konci životnosti aj všetkých obalových materiálov.



Nelikvidujte batérie spolu s bežným domovým odpadom.



Nevhadzujte batérie do ohňa!



Nevystavujte batérie nadmerným teplotám vyšším než 50 °C.



Akumulátor počas prerušenia práce, prepravy, skladovania, údržby alebo opravy vždy vyberte.

## VŠEOBECNÉ BEZPEČNOSTNÉ POKYNY PRE ELEKTRICKÉ NÁRADIE

**VÝSTRAHA! Je nutné prečítať všetky bezpečnostné pokyny, návod na používanie, obrázky a predpisy dodané s týmto náradím. Nedodržanie všetkých nasledujúcich pokynov môže viesť k úrazu elektrickým prúdom, k vzniku požiaru a/alebo k vážnemu zraneniu osôb.**

**Všetky pokyny a návod na používanie sa musia uschovať, aby bolo možné do nich neskôr nahliadnuť.**

### Bezpečnosť pracovného prostredia

1. Pracovisko je nutné udržiavať v čistote a dobre osvetlené. Neporiadok a tmavé priestory bývajú príčinou nehôd.
2. Elektrické náradie sa nesmie používať v prostredí s nebezpečenstvom výbuchu, kde sa vyskytujú horľavé kvapaliny, plyny alebo prach. V elektrickom náradí vznikajú iskry, ktoré môžu zapáliť prach alebo výpary.
3. Pri používaní elektrického náradia je nutné zabrániť prístupu detí a ďalších osôb. Ak bude obsluha vyrušovaná, môže stratiť kontrolu nad vykonávanou činnosťou.

### Elektrická bezpečnosť

1. Vidlica pohyblivého prívodu elektrického náradia musí zodpovedať sieťovej zásuvke. Vidlica sa nesmie nikdy akýmkoľvek spôsobom upravovať. S náradím, ktoré má ochranné spojenie so zemou, sa nesmú používať žiadne zásuvkové adaptéry. Vidlice, ktoré sú znehodnotené úpravami, a zodpovedajúce zásuvky obmedzia nebezpečenstvo úrazu elektrickým prúdom.
2. Obsluha sa nesmie telom dotýkať uzemnených predmetov, ako napr. potrubie, telesá ústredného kúrenia, sporáky a chladničky. Nebezpečenstvo úrazu elektrickým prúdom je väčšie, ak je vaše telo spojené so zemou.
3. Elektrické náradie sa nesmie vystavovať dažďu, vlhku alebo moku. Ak vnikne do elektrického náradia voda, zvyšuje sa nebezpečenstvo úrazu elektrickým prúdom.
4. Pohyblivý prívod sa nesmie používať na iné účely. Elektrické náradie sa nesmie nosiť alebo ťahať za prívod, ani sa nesmú ťahom za prívod odpájať vidlice od zásuvky. Prívod je nutné chrániť pred horúčavou, masntotou, ostrými hranami alebo pohyblivými časťami. Poškodené alebo zamotané prívody zvyšujú nebezpe-

# BEZPEČNOSTNÉ POKYNY

čtenstvo úrazu elektrickým prúdom.

5. Ak sa elektrické náradie používa vonku, musí sa použiť predĺžovací prívod vhodný na vonkajšie použitie. Používanie predĺžovacieho prívodu na vonkajšie použitie obmedzuje nebezpečenstvo úrazu elektrickým prúdom.
6. Ak sa používa elektrické náradie vo vlhkých priestoroch, je nutné používať napájanie chránené prúdovým chráničom (RCD). Používanie RCD obmedzuje nebezpečenstvo úrazu elektrickým prúdom.

## Bezpečnosť osôb

1. Pri používaní elektrického náradia musí byť obsluha pozorná, musí sa venovať tomu, čo práve robí, a musí sa sústrediť a triezvo uvažovať. Elektrické náradie sa nesmie používať, ak je obsluha unavená alebo pod vplyvom drog, alkoholu alebo liekov. Chvilková nepozornosť pri používaní elektrického náradia môže viesť k vážnemu poraneniu osôb.
2. Používať osobné ochranné pracovné prostriedky. Vždy používať ochranu očí. Ochranné pomôcky ako napr. respirátor, bezpečnostná obuv s protišmykovou úpravou, tvrdá pokrývka hlavy alebo ochrana sluchu, používané v súlade s podmienkami práce, znižujú nebezpečenstvo poranenia osôb.
3. Je nutné vyvarovať sa neúmyselného spustenia stroja. Je nutné sa uistiť, že je spínač pred zapojením vidlice do zásuvky a/alebo pri pripájaní batériovej súpravy, zdvíhaním či prenášaním náradia v polohe vypnuté. Prenášanie náradia s prstom na spínači alebo zapájanie vidlice náradia so zapnutým spínačom môže byť príčinou nehôd.
4. Pred zapnutím náradia je nutné odstrániť všetky nastavovacie nástroje alebo kľúče. Nastavovací nástroj alebo kľúč, ktorý zostane pripavený k otáčajúcej sa časti elektrického náradia, môže byť príčinou poranenia osôb.
5. Obsluha musí pracovať len tam, kam bezpečne dosiahne. Obsluha musí vždy udržiavať stabilný postoj a rovnováhu. To umožní lepšiu kontrolu nad elektrickým náradím v nepredvídaných situáciách.
6. Obliekať sa vhodným spôsobom. Nenosiť voľné odevy ani šperky. Obsluha musí dbať na to, aby mala vlasy a odev dostatočne ďaleko od pohyblivých častí. Voľné odevy, šperky a dlhé vlasy môžu byť zachytené pohybujúcimi sa čas-

tami.

7. Ak sú k dispozícii prostriedky na pripojenie zariadenia na odsávanie a zber prachu, je nutné zaistiť, aby sa takéto zariadenia pripojili a správne používali. Použitie týchto zariadení môže obmedziť nebezpečenstvá spôsobené vznikajúcim prachom.
8. Obsluha nesmie dopustiť, aby sa kvôli rutine, ktorá vychádza z častého používania náradia, stala samolúbou, a začala ignorovať zásady bezpečnosti náradia. Neopatrná činnosť môže v zlomku sekundy spôsobiť závažné poranenie.

## Používanie a údržba elektrického náradia

1. Elektrické náradie sa nesmie preťažovať. Je nutné používať správne elektrické náradie, ktoré je určené pre vykonávanú prácu. Správne elektrické náradie bude lepšie a bezpečnejšie vykonávať prácu, pre ktorú bolo konštruované.
2. Nesmie sa používať elektrické náradie, ktoré nie je možné zapnúť a vypnúť spínačom. Akékoľvek elektrické náradie, ktoré nie je možné ovládať spínačom, je nebezpečné a musí sa opraviť.
3. Pred akýmkoľvek nastavením, výmenou príslušenstva alebo pred uskladnením elektrického náradia je nutné vytiahnuť vidlice zo sieťovej zásuvky a/alebo odobrať batériovú súpravu z elektrického náradia, ak je odnímateľná. Tieto preventívne bezpečnostné opatrenia obmedzujú nebezpečenstvo náhodného spúšťania elektrického náradia.
4. Nepoužívané elektrické náradie je nutné skladovať mimo dosahu detí a nesmie sa dovoliť osobám, ktoré neboli oboznámené s elektrickým náradím alebo s týmito pokynmi, aby náradie používali. Elektrické náradie je v rukách neskúsených používateľov nebezpečné.
5. Elektrické náradie a príslušenstvo je nutné udržiavať. Je potrebné kontrolovať nastavenie pohyblivých častí a ich pohyblivosť, sústrediť sa na praskliny, zlomené súčasti a akékoľvek ďalšie okolnosti, ktoré môžu ohroziť funkciu elektrického náradia. Ak je náradie poškodené, pred ďalším použitím je nutné zaistiť jeho opravu. Mnoho nehôd je spôsobených nedostatočne udržiavaným elektrickým náradím.
6. Rezacie nástroje je nutné udržiavať ostré a čisté. Správne udržiavané a naoštrované rezacie nástroje s menšou pravdepodobnosťou zachytia za materiál alebo sa zablokujú a práca s nimi sa

# BEZPEČNOSTNÉ POKYNY

ľahšie kontroluje.

- Elektrické náradie, príslušenstvo, pracovné nástroje atď. je nutné používať v súlade s týmito pokynmi a takým spôsobom, aký bol predpísaný pre konkrétne elektrické náradie, a to s ohľadom na dané podmienky práce a druhu vykonávanej práce. Používanie elektrického náradia na vykonávanie iných činností, než na aké bolo určené, môže viesť k nebezpečným situáciám.
- Rukováti a úchopové povrchy je nutné udržiavať suché, čisté a bez mastnôt. Klzké rukováti a úchopové povrchy neumožňujú v neočakávaných situáciách bezpečné držanie a kontrolu náradia.

## Servis

- Opravy elektrického náradia je nutné zverovať kvalifikovanej osobe, ktorá bude používať identické náhradné diely. Týmto spôsobom bude zaistená rovnaká úroveň bezpečnosti elektrického náradia ako pred opravou.

## POUŽÍVANIE A ÚDRŽBA BATÉRIOVÉHO NÁRADIA

- Náradie je nutné nabíjať iba s nabíjačkou, ktorá je určená výrobcom. Nabíjačka, ktorá môže byť vhodná pre jeden typ batéριοvej súpravy, môže byť pri použití s inou batéριοvou súpravou príčinou nebezpečenstva požiaru.
- Náradie je nutné používať iba s batéριοvou súpravou, ktorá je výslovne určená pre dané náradie. Používanie akýchkoľvek iných batéριοvých súprav môže byť príčinou nebezpečenstva úrazu alebo požiaru.
- Ak sa batéριοvá súprava práve nepoužíva, musí sa chrániť pred stykom s inými kovovými predmetmi, ako sú kancelárske sponky, mince, kľúče, klince, skrutky alebo iné malé kovové predmety, ktoré môžu spôsobiť spojenie jedného kontaktu batérie s druhým. Skratovanie kontaktov batérie môže spôsobiť popáleniny alebo požiar.

## BEZPEČNOSTNÉ POKYNY PRE VŔTAČKY

### Bezpečnostné pokyny pre všetky pracovné činnosti

- Pri vŕtaní s príklepom je nutné používať ochranu sluchu. Vystavenie vplyvu hluku môže spôsobiť stratu sluchu.
- Je potrebné používať prídavnú rukoväť (rukoväť). Strata kontroly môže spôsobiť poranenie

osôb.

- Pred použitím náradia je nutné sa proti náradu riadne zaprieť. Toto náradie produkuje vysoký výstupný krútiaci moment a bez riadneho zapretia proti náradu počas činnosti môže dôjsť k strate kontroly, ktorá môže vyústiť do poranenia osôb.
- Pri vykonávaní činnosti, kde sa vŕtací nástroj môže dotknúť skrytého vedenia alebo svojho vlastného prívodu, je nutné držať elektromechanické náradie za izolované úchopové povrchy. Dotyk vŕtacieho nástroja so „živými“ vodičom môže spôsobiť, že sa neizolované kovové časti elektromechanického náradia stanú „živými“ a môžu viesť k úrazu používateľa elektrického prúdom.

### Bezpečnostné pokyny v prípade použitia dlhých vŕtákov

- Nikdy nepoužívajte stroj na vyššie otáčky, než sú maximálne menovité otáčky vŕtáka. Pri vyšších otáčkach je pravdepodobné, že sa vŕták ohne, ak sa nechá točiť voľne bez toho, aby bol v kontakte s obrobkom, čo môže viesť k poraneniu osôb.
- Na začiatku vŕtania je nutné mať vždy nízke otáčky a špička vŕtáka sa musí dotýkať obrobku. Pri vyšších otáčkach je pravdepodobné, že sa vŕták ohne, ak sa nechá točiť voľne bez toho, aby bol v kontakte s obrobkom, čo môže viesť k poraneniu osôb.
- Je nutné tlačiť iba v priamom smere s vŕtákom a nesmie sa pôsobiť nadmerným tlakom. Vŕtáky sa môžu ohnúť a môžu prasknúť alebo spôsobiť stratu kontroly, čo môže viesť k poraneniu osôb.



# TECHNICKÉ ÚDAJE

<b>Maximálny moment</b>	35 Nm
<b>Otáčky za minútu (bez záťaže)</b>	0 - 400 / 0 - 1400
<b>Veľkosť vrtáka</b>	2 - 13 mm
<b>Skľučovadlo</b>	1/2" × 20 UNF

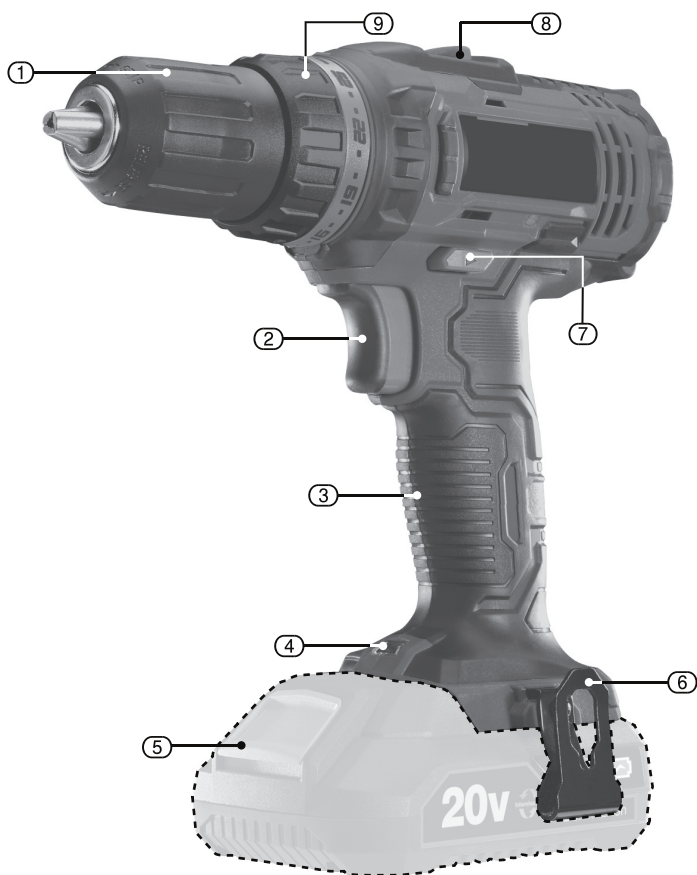
<b>Max. priemer otvoru:</b>	
<b>drevo</b>	35 mm
<b>mäkká oceľ</b>	13 mm

<b>Hladina akustického tlaku*</b>	73 dB(A), K = 3 dB(A)
<b>Hladina akustického výkonu**</b>	84 dB(A), K = 3 dB(A)
<b>Úroveň vibrácií</b>	4,567 m/s <sup>2</sup> , K = 1,5 m/s <sup>2</sup>
<b>Hmotnosť (iba stroj)</b>	1,2 kg

\* Trvalá hladina akustického tlaku s filtrom A pre ručné náradie zameraná podľa normy EN ISO 15744:1999 a uvedená podľa EN ISO 4871.

\*\* Hladina akustického výkonu s filtrom A pre ručné náradie zameraná podľa normy EN ISO 15744:1999 a uvedená podľa EN ISO 4871.

# POPIS



- 1 13 mm skľučovadlo bez kľučky
- 2 Tlačidlo vypínača s reguláciou rýchlosti
- 3 Rukoväť
- 4 Svetlo LED
- 5 Akumulátorová batéria Li-ion 20 V/2,0 Ah (predávaná samostatne)
- 6 Pútko na opasok
- 7 Volič smeru otáčania
- 8 Volič prevodu
- 9 Prsteneц nastavenia momentu

# ROZBALENIE A KONTROLA

## ROZBALENIE

Výrobok opatrne vybalte zo škatule, odstráňte obalový materiál a skontrolujte stav na prípadné poškodenia pri preprave. Rozložte si obsah balenia a skontrolujte úplnosť príslušenstva podľa ďalšieho odseku. Ak niečo chýba, obráťte sa na predajcu a výrobok nepoužívajte.

Obalový materiál si uschovajte najmenej počas záruky, musí sa použiť v prípade odoslania.

## Varovanie!

- Obalový materiál môže byť nebezpečný pre deti. Nenechávajte ho v dosahu detí.
- Pri likvidácii obalu postupujte podľa platných miestnych predpisov pre recykláciu.

# PRÍPRAVA VŔTAČKY

## STAV NABITIA BATÉRIE

Okamžitý stav nabitia batérie môžete skontrolovať stlačením tlačidla indikátora batérie.

## TIPY NA EFEKTÍVNE POUŽITIE BATÉRIE

- Batérie nabíjajte skôr, než sú celkom vybité.
- Ak sa výkon stroja zníži, prestaňte ho používať a vymeňte alebo nabite batériu. Používanie stroja s posledným zvyškom energie v batérii môže viesť k poškodeniu batérie.
- Nenabíjajte batérie pri vysokej teplote. Bezprostredne po použití sú batérie horúce. Ak sa takéto batérie nabíjajú, dochádza k degradácii chemickej štruktúry článkov a životnosť batérie sa skracuje. Nechajte preto batérie vychladnúť pred nabíjaním.
- Batérie je možné nabíjať a používať iba v teplotnom rozsahu 5 °C až 30 °C. Hrozí poškodenie článkov. Vždy nechajte batérie dosiahnuť normálnu teplotu.

**Poznámka:** Nedodržanie týchto pokynov môže viesť k poškodeniu batérií aj nabíjačky alebo k zraneniu osôb.

# ZÁKLADNÉ POUŽITIE

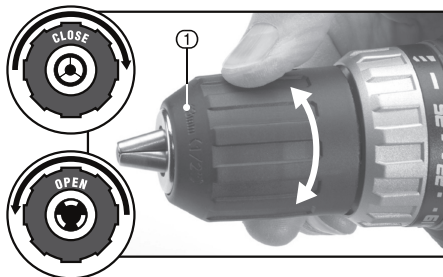
## UPEVNENIE A VYBRATIE VRTÁKA

**Poznámka:** Výrobok je vybavený elektrickou brzdou.

Vrtačka je vybavená skľučovadlom, ktoré umožňuje upevnenie vrtáka bez použitia nástrojov. Na upevnenie a uvoľnenie vrtáka či skrutkovacích nastavovcov nie je potrebná kľučka.

- Driek vrtáka zasuňte do otvoru skľučovadla tak hlboko, ako je to možné.
- Utiahnite skľučovadlo pevne rukou.

**Poznámka:** Krátke skrutkovacie bity stačí zasunúť medzi čeľuste.



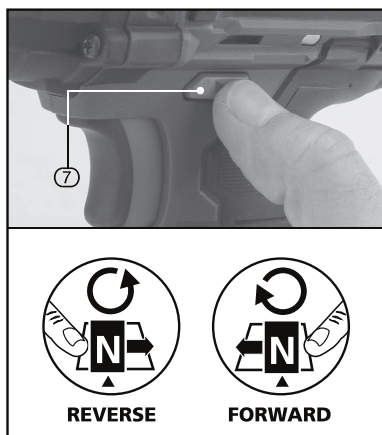
## VOĽBA SMERU OTÁČANIA

REVERSE = SPÄŤ, FORWARD = VPRED

Prepínač smeru otáčania (7) umožňuje zmeniť smer otáčania vretena.

### Zmena smeru otáčania:

- Zastavte motor a stlačte tlačidlo (7) zľava alebo sprava.
- Ak je prepínač stlačený doľava, vrtačka sa otáča doprava (vpred).
- Ak je prepínač stlačený doprava, vrtačka sa otáča doľava (vzad).
- Pred použitím sa vždy uistite, že je prepínač v správnej očakávanej polohe. Smer nie je možné meniť za chodu stroja, vždy vyčkajte na úplné zastavenie vrtačky.
- Ak vrtačku nepoužívate, môžete uviesť prepínač smeru do neutrálnej polohy (uprostred), keď je spínač motora uzamknutý.



**Poznámka:** Ak nie je prepínač v neutrálnej polohe, môže náhodne dôjsť k stlačeniu vypínača a nechcenému zapnutiu vrtačky. Pritom môže dôjsť k poškodeniu stroja alebo zraneniu.

## SPÍNAČ S REGULÁCIOU OTÁČOK

Ak je stlačený vypínač (2), vreteno vrtačky sa otáča (za predpokladu, že je volič smeru (7) v niektorej z krajných polôh). Tento vypínač zároveň slúži na plynulú elektronickú reguláciu rýchlosti otáčania.

- Rýchlosť otáčania závisí od stupňa stlačenia tlačidla vypínača.
- Čím hlbšie je stlačené, tým rýchlejšie sa vrtačka točí.
- Pri slabšom stlačení sa vreteno točí pomalšie.

## VOĽBA MOMENTU

Otáčaním prstencom (9) okolo skľučovadla je možné nastaviť maximálny krútiaci moment, ktorý stroj dosiahne.

# ZÁKLADNÉ POUŽITIE

- Nastavenie 1 - 25 umožňuje voliť maximálny moment. To sa hodí napr. na opakované skrútkovanie viacerých rovnakých skrútiok, ktoré sa po nastavení momentu ťahujú rovnakou silou a v prípade skrútiok so zápuštnou hlavou sú rovnako hlboko v materiáli.
- Pri správnom nastavení momentu nedochádza k pretrhnutiu skrútky malého priemeru.

## DVOJRÝCHLOSTNÁ PREVODOVKA

- Nižší prevod 1 (nižšia rýchlosť a vyšší moment) voľte na skrútkovanie a veľké priemery vrtákov.
- Vyšší prevod 2 (vyššie otáčky a menšia sila) slúži na vŕtanie otvorov.

## SPONA NA OPASOK

Perová spona (6) na zavesenie na opasok slúži na dočasné zavesenie vŕtačky. Sponu je možné namontovať na obe strany vŕtačky.

### Inštalácia spony:

- Nastavte sponu (6) do vhodnej polohy a zaistite priloženou skrútkou. Skrútku ťahujte opatrne, aby ste nestrhli závit v stroji.

## LED OSVETLENIE

Svetlo (4) sa automaticky rozsvieti po stlačení vypínača vŕtačky a uľahčí prácu v tesných a zle osvetlených miestach.

## SKRUTKOVANIE

Veľkosť a typ skrútkovacieho bitu voľte podľa hlavy skrútky, zabránite skĺznutiu nástroja alebo poškodeniu hlavy.

### Vybratie skrútky:

- Presuňte prepínač smeru otáčania do polohy otáčania vľavo a s tlakom na skrútku pomaly tlačte vypínač.

Skrútkovacie bity sú spotrebný materiál.

### Varovanie!

- Pred vŕtaním sa uistite, že pod vŕtaným materiálom nie sú skryté nebezpečné predmety, ako vedeňie plynu, vody a elektriny a pod. Overte vhodným detektorom.
- Vŕtačku ani nabíjačku náradia nevystavujte dažďu a vlhkosti.
- Akumulátor neprebíjajte (dlhšie než 6 hodín), môže dôjsť k poškodeniu článkov.

## VŕTANIE DREVA A PLASTU

Ak chcete zabrániť rozstrapkaniu okrajov otvoru na spodnej strane materiálu, podložte ho odrezkom toho istého materiálu v mieste budúceho otvoru.

## VŕTANIE KOVU

Je možné vŕtať kovy ako sú mäkká oceľ a farebné kovy. Pritom sa hodia niektoré typy.

- Označte si stred otvoru jamkovačom, aby vrták neskĺzol.
- Kvapka oleja v mieste budúceho otvoru uľahčí vŕtanie a predĺži životnosť vrtáka.

# ZÁKLADNÉ POUŽITIE

**Poznámka:** Akokoľvek je vrtanie kovov v možnostiach tejto vrtačky, rýchlosť otáčania nemusí vyhovovať pre všetky aplikácie a poskytnúť najlepší výsledok. Dbajte na zvláštnu pozornosť pri vrtaní do kovu, hrozia najrôznejšie komplikácie.

## ÚDRŽBA

Pravidelné prehliadky a čistenie stroja znižujú potrebu servisných zásahov a udržiavajú stroj v dobrej kondícii.

Pri práci musí byť motor dostatočne chladený. Dbajte na čistotu vetracích otvorov a pravidelne ich vysávajú od prachu.

## RIEŠENIE PROBLÉMOV

**Poznámka:** Pred nastavením a údržbou odoberte batériu z vrtačky.

Problém	Možná príčina	Riešenie
<b>Motor sa nespustí.</b>	<ul style="list-style-type: none"><li>- Batéria je vybitá.</li><li>- Nie je zvolený smer otáčania.</li><li>- Batéria je chybná.</li></ul>	<ul style="list-style-type: none"><li>- Nabite či vymeňte batériu.</li><li>- Zvoľte smer prepínačom.</li><li>- Vymeňte batériu.</li></ul>
<b>Motor beží, ale pomaly / nemá výkon.</b>	<ul style="list-style-type: none"><li>- Batéria je vybitá.</li><li>- Batéria je chybná.</li></ul>	<ul style="list-style-type: none"><li>- Nabite či vymeňte batériu.</li><li>- Vymeňte batériu.</li></ul>
<b>Skľučovadlo nedrží vrták alebo sa nedá utiahnuť.</b>	<ul style="list-style-type: none"><li>- Prach a triesky v skľučovadle.</li></ul>	<ul style="list-style-type: none"><li>- Vyčistite vnútro skľučovadla čistiacou kvapalinou.</li></ul>
<b>Batéria sa nenabíja/nesvieti/nabíjačka nesvieti.</b>	<ul style="list-style-type: none"><li>- Nabíjačka nie je napájaná.</li><li>- Nabíjačka je chybná.</li></ul>	<ul style="list-style-type: none"><li>- Skontrolujte poistky.</li><li>- Vymeňte nabíjačku.</li></ul>

**Dôležité:** Všetky opravy stroja smie vykonávať iba kvalifikovaná osoba.

# EÚ VYHLÁSENIE O ZHODE

## Identifikačné údaje o splnomocnenom zástupcovi výrobcu / dovozcovi:

Výrobca: Alza.cz, a. s.

Registrované sídlo: Jankovcova 1522/53, Holešovice, 170 00 Praha 7

IČO: 27082440

## Predmet vyhlásenia:

Názov: Aku vrtačka

Model/Typ: AT-CD20V

## Vyššie uvedený produkt bol testovaný v súlade s normou (normami) používanou (používanými) na preukázanie súladu so základnými požiadavkami stanovenými smernicou (smernicami):

Strojová smernica 2006/42/EC

Smernica o elektromagnetickej kompatibilite (EMC) 2014/30/EÚ

Smernica ROHS 2011/65/EÚ a (EÚ) 2015/863

## Odkaz na harmonizované normy:

EN62841-1:2015

EN 62841-2-1:2018/A11:2019

EN55014-1:2017

EN55014-2:2015

## ES skúška typu bola vykonaná v:

No. 0123 TÜV SÜD Product Service GmbH, Certification Body, Ridlerstraße 65, 80339 Munich, Germany

Číslo certifikátu: M8A 063263 0133

## Technické podklady sú uložené u:

Alza.cz, a. s.

Jankovcova 1522/53, Holešovice, 170 00 Praha 7

Rok výroby stroja a výrobné číslo sú uvedené na stroji.

Ing. Jan Melena

Business Development Manager

Sales and Purchasing; Private Labels



V Prahe dňa 22. 9. 2021





# BIZTONSÁGI UTASÍTÁSOK

## A TERMÉK CSOMAGOLÁSÁN/TÍPUSCÍMKÉJÉN TALÁLHATÓ JELEK MAGYARÁZATA



A használatba vétel előtt figyelmesen olvassa el a használati útmutatót!



Légzésvédő (maszk) használata kötelező.



Védőszemüveg használata kötelező.



Esőtől és nedvességtől védje.



A csomagolóanyagokat és a terméket az életciklusa végén adja le hulladékgyűjtő helyen újrafelhasználáshoz.



Az akkumulátort tűzbe dobni tilos!



A kéziszerszám szállítása, karbantartása, javítása vagy eltávolítása, illetve a munka szüneteltetése előtt az akkumulátort mindig szerelje ki.



Védőkesztyű használata kötelező.



Fülvédő használata kötelező.



Az akkumulátorokat vízbe dobni tilos!



Nyílt lángtól és erős hőtől tartsa távol.



Az akkumulátort a háztartási hulladékok közé kidobni tilos.

Li-Ion



Az akkumulátort ne tegye ki 50°C feletti hőmérsékletnek.

## ÁLTALÁNOS BIZTONSÁGI ELŐÍRÁSOK AZ ELEKTROMOS KÉZISZERSZÁMOKHOZ

**VESZÉLY! A jelen kéziszerszámhoz mellékt használati útmutatót, biztonsági előírásokat és egyéb utasításokat olvassa el. Az alábbi biztonsági és használati utasítások be nem tartása áramütéshez, tűzhöz és/vagy súlyos személyi sérüléshez vezethet.**

**A használati útmutatót és az egyéb előírásokat őrizze meg, hogy később is el tudja olvasni.**

### Biztonságos munkakörnyezet

1. A munkahelyet tartsa tisztán és biztosítsa a megfelelő világítást. A rendetlen és rosszul megvilágított munkahely baleset forrása lehet.
2. Az elektromos kéziszerszámmal ne dolgozzon robbanásveszélyes helyen (gyúlékony folyadékok és gázok közelében, vagy poros levegőjű helyen). Az elektromos szerszámban keletkező szikrák a port vagy a robbanásveszélyes anyagokat berobbanthatják.
3. Az elektromos kéziszerszám használata közben a gyerekeket és az illetéktelen személyeket tartsa távol a munkahelytől. Ha megzavarják a munkájában, akkor elvesztheti az uralmát az

elektromos kéziszerszám felett.

### Elektromos biztonság

1. A csatlakozódugót csak a dugónak megfelelő hálózati aljzathoz csatlakoztassa. A csatlakozódugót átalakítani tilos. A földeléses csatlakozódugót csak közvetlenül a földeléses aljzathoz szabad csatlakoztatni (elágazó használata tilos). Az áramütések elkerülése érdekében csak sértetlen csatlakozódugóval, és a dugónak megfelelő aljzatról üzemeltesse a kéziszerszámot.
2. Ügyeljen arra, hogy a teste ne érjen hozzá földelt tárgyakhoz (fűtőcsövekhez, radiátorhoz, tűzhelyhez, hűtőszekrényhez stb.). Amennyiben a teste le van földelve, nagyobb az áramütés kockázata.
3. Az elektromos kéziszerszámot ne tegye ki eső vagy nedvesség hatásának. Az elektromos kéziszerszámba kerülő víz növeli az áramütés kockázatát.
4. A hálózati vezetékét csak a rendeltetésének megfelelő célokra használja. Az elektromos kéziszerszámot ne húzza és ne szállítsa a hálózati vezetékénél megfogva. A hálózati csatlakozódugót tilos a vezetékénél fogva kihúzni a fali al-

# BIZTONSÁGI UTASÍTÁSOK

zatzból, ehhez a művelethez a csatlakozódugót fogja meg. A hálózati vezetéket tartsa kellő távolságra a forró alkatrészekről, olajos tárgyakról és éles sarkoktól, valamint a gép mozgó részeitől. A sérült vagy összetekeredett hálózati vezeték balesetet okozhat.

5. A szabadban végzett munkákhoz csak hibátlan, és szabadban való munkákra alkalmas hosszabbítót használjon az elektromos kéziszerszámhoz. A szabadtéri használatra készült hosszabbító alkalmazásával csökkentheti az áramütés kockázatát.
6. Amennyiben az elektromos kéziszerszámot nedves, vizes helyen használja, akkor azt áram-védőkapcsolóval (RCD) védett hálózati aljzathoz csatlakoztassa. Az áram-védőkapcsoló (RCD) használata csökkenti az áramütés kockázatát.

## Személyi biztonság

1. Az elektromos kéziszerszám használata közben legyen figyelmes, jól gondolja át mit fog csinálni, koncentráljon a munkára, a cselekedeteit pedig józan megfontolások vezéreljék. Az elektromos készüléket ne használja ha fáradt, alkoholt vagy kábítószerrel fogyasztott, vagy gyógyszerek hatása alatt áll. Az elektromos kéziszerszám használata közbeni pillanatnyi figyelmetlenség komoly balesetek forrása lehet.
2. Használjon egyéni védőeszközöket. Munka közben mindig viseljen védőszemüveget. Az elektromos kéziszerszám jellegétől függő munkavédelmi eszközök (például légszűrő maszk, csúszásgátló védőcipő, fejtvédő sisak, fülvédő stb.) előírászerű használatával csökkentheti a baleseti kockázatokat.
3. Előzze meg a véletlen gépindításokat. Az elektromos kéziszerszám mozgatása és szállítása során a hálózati vezetéket húzza ki az aljzatzból, az újjat pedig vegye le a főkapcsolóról. Ez érvényes arra az esetre is, ha a kéziszerszámba akkumulátort szerel be. Ha az elektromos kéziszerszám mozgatásakor az ujj a főkapcsolón marad, akkor a gép véletlenül elindulhat, aminek súlyos sérülés lehet a következménye.
4. Az elektromos kéziszerszám bekapcsolása előtt abból távolítsa el a beállításhoz szükséges szerzőszámokat és kulcsokat. A forgó géprészben maradt kulcs vagy más tárgy súlyos balesetet okozhat.
5. Csak biztonságosan elérhető távolságban dol-

gozzon a géppel. Munka közben álljon stabilan és biztonságosan a lábán. Így bármilyen körülmények között megőrizheti uralmát a gép felett.

6. Viseljen megfelelő munkaruhát. Forgó gépek használata esetén ékszereket, laza ruhát viselni tilos. Ügyeljen arra, hogy a haja, a ruhája, vagy a kesztyűje ne kerüljön a forgó alkatrészek közelébe. A laza ruhát, a lógó ékszereket, vagy a hosszú hajat a gép forgó alkatrészei elkapathatják.
7. Amennyiben a géphez lehet forgácsgyűjtőt, vagy por- és forgács-elszívót csatlakoztatni, akkor ezt megfelelően csatlakoztassa az elektromos kéziszerszámhoz. Az elszívó és forgácsgyűjtő alkalmazásával védekezhet a por okozta kockázatokkal szemben.
8. A készülék gyakori használata nem jelenti azt, hogy elhanyagolhatja a biztonságos használat előírásait, a rutinszerű és figyelmetlen munka súlyos balesetek előidézője lehet. A figyelmetlenség egy pillanat alatt is okozhat súlyos balesetet.

## Az elektromos kéziszerszám használata és karbantartása

1. Az elektromos kéziszerszámot ne terhelje túl. A munka jellegének megfelelő elektromos kéziszerszámot használjon. A megfelelően kiválasztott elektromos kéziszerszám biztosítja a rendeltetésének megfelelő biztonságot és hatékonyságot.
2. A meghibásodott főkapcsolójú elektromos kéziszerszámot ne használja. A hibás főkapcsolóval rendelkező elektromos kéziszerszám használata veszélyes, a készüléket meg kell javítani.
3. Beállítás, tartozékcsere, karbantartás, vagy a kéziszerszám lehelyezése előtt az elektromos kéziszerszám csatlakozódugóját húzza ki a fali aljzatzból (illetve vegye ki az akkumulátort, ha az kivehető). Ezzel megakadályozhatja a véletlen gépindítást az ilyen jellegű munkák végrehajtása közben.
4. A használaton kívüli elektromos kéziszerszámot gyerekektől, valamint a használati utasítást nem ismerő személyektől elzárva tárolja, és ezeknek ne engedje a kéziszerszám használatát sem. Az elektromos kéziszerszám hozzá nem értő kezekben veszélyes lehet.
5. Az elektromos kéziszerszámot és tartozékait karban kell tartani. Az elektromos kéziszerszám

# BIZTONSÁGI UTASÍTÁSOK

mot, a működtető és mozgó részeit, a burkolatokat és a védelmi elemeket a használatba vétel előtt ellenőrizze le. Sérült, repedt, vagy rosszul beállított és a szabályszerű működést zavaró hibákkal rendelkező kéziszerszámmal dolgozni tilos. A sérült és hibás kéziszerszámot az újbóli használatba vétele előtt javíttassa meg. A karbantartások elmulasztása és elhanyagolása balesetet okozhat.

6. Tartsa tisztán és éles állapotban a vágószerszámokat. A megfelelően karbantartott és élezett vágószerszámokkal jobb a megmunkálás hatékonysága, és kisebb a kockázata a vágószerszám leblokkolásának.
7. Az elektromos kéziszerszámot, a tartozékokat és vágószerszámokat csak a használati utasítás előírásai szerint, valamint a rendeltetésének megfelelő módon, továbbá az adott munkakörülményeket és a munka típusát is figyelembe véve használja. A rendeltetéstől eltérő géphasználat veszélyes és váratlan helyzeteket hozhat létre.
8. A kéziszerszám fogantyúit és markolatait tartsa tiszta, száraz, zsír- és olajmentes állapotban. Ha a kéziszerszámot nem tudja biztonságosan és csúszásmentesen fogni, akkor váratlan helyzetekben elveszítheti az uralmát a gép felett.

## Szerviz

1. Az elektromos kéziszerszám javítását bízza márkavagy szakszervizre, a készülék javításához csak eredeti alkatrészeket szabad felhasználni. Csak így biztosítható az elektromos kéziszerszám biztonságának az eredeti módon való helyreállítása.

## AZ AKKUMULÁTOROS KÉZISZERSZÁM HASZNÁLATA ÉS KARBANTARTÁSA

1. Az akkumulátort csak a gyártó által meghatározott akkumulátortöltővel szabad feltölteni. Adott típusú akkumulátor töltésére alkalmas akkumulátortöltő más típusú akkumulátorhoz való használata esetén tűz keletkezhet.
2. A kéziszerszámba kizárólag csak a gyártó által meghatározott akkumulátort szabad beszerezni. Más típusú akkumulátor használata tüzet vagy balesetet okozhat.
3. Az akkumulátorokat ne helyezze le olyan helyre, ahol fém tárgyak találhatók (gemkapocs, pénzérmék, kulcsok, szegek, csavarok stb.) mert a fém tárgyak az akkumulátor pólusait

összeköthetik. Az akkumulátor pólusainak a rövidre zárása tüzet vagy égési sérülést okozhat.

## A FÚRÓGÉPHEZ KAPCSOLÓDÓ BIZTONSÁGI UTASÍTÁSOK

### Biztonsági utasítások az üzemeltetéshez

1. Ütvefúráskor használjon fülvédőt. A túl nagy zajártalom halláskárosodást okozhat.
2. Használja a kiegészítő fogantyút (fogantyúkat). A gép feletti uralom elvesztése sérülésekhez vezethet.
3. A készülék bekapcsolása előtt álljon stabilan és megfeszített testtel. Ez a készülék nagy forgatónyomatékkal dolgozik, megfelelő stabil állás és erős megfogás hiányában a kéziszerszám felett elveszítheti az uralmát, aminek sérülés lehet a következménye.
4. Az elektromos kéziszerszámot csak a szigetelt fogantyúfelületeknél fogja meg, ha olyan munkákat végez, amelyek során a vágószerszám kívülről nem látható, feszültség alatt álló vezetőket, vagy a saját hálózati vezetéket is átvághatja. Ha a betétszerszám egy feszültség alatt álló vezetékhez ér, az elektromos kéziszerszám fémrészei szintén feszültség alá kerülnek, ami áramütést okozhat.

### Biztonsági utasítások hosszú fúrók használatához

1. A fúrógépet ne üzemeltesse magasabb fordulatszámra, mint a fúró (betétszerszám) megengedett névleges fordulatszáma. Magasabb fordulatszámra előfordulhat, hogy a hosszú fúró elgörbül, ami balesetet vagy személyi sérülést okozhat.
2. A fúrás kezdetén alacsony fordulatszámot állítson be, és a fúró vége érjen hozzá a munkadarabhoz (a pontozóval megjelölt fúrási helyhez). Magasabb fordulatszámra előfordulhat, hogy a hosszú fúró elgörbül, ami balesetet vagy személyi sérülést okozhat.
3. A fúrógépet csak a fúrás irányában nyomja, de nem nagy erővel. A fúró (betétszerszám) eltörhet, és a gépe feletti uralom elvesztése balesetet vagy személyi sérülést okozhat.

# MŰSZAKI ADATOK

<b>Maximális forgatónyomaték</b>	35 Nm
<b>Üresjárat fordulat/szám</b>	0-400/0-1400 f/p
<b>Befogható fúrószer átmérő</b>	2-13 mm
<b>Tokmány</b>	1/2" x 20 UNF

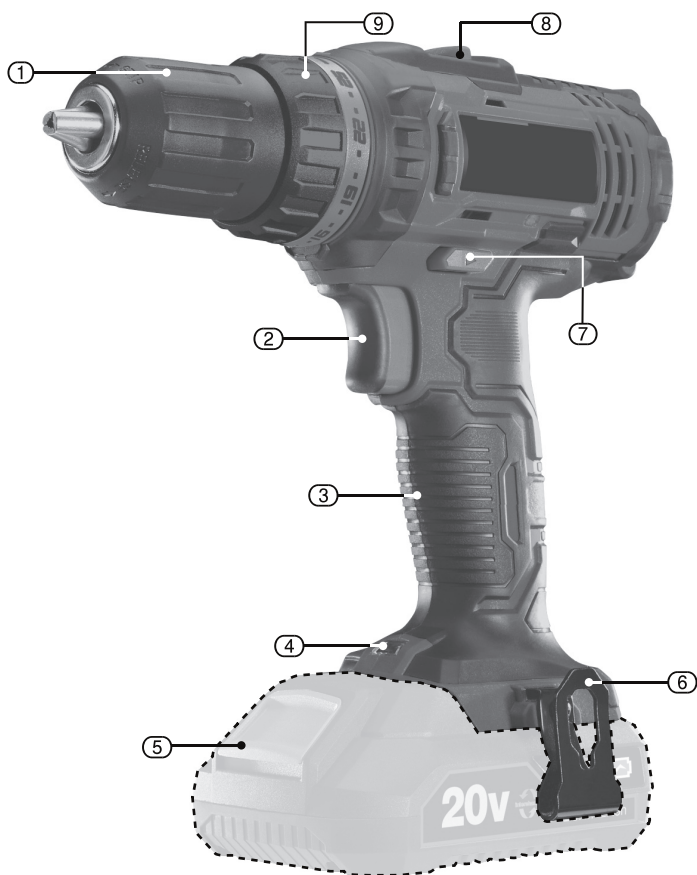
<b>Max. fúrható átmérő</b>	
<b>fába</b>	35 mm
<b>lágycélba</b>	13 mm

<b>Zajnyomás*</b>	73 dB(A), K=3 dB(A)
<b>Zajtjeljesítmény**</b>	84 dB(A), K=3 dB(A)
<b>Rezgés</b>	4,567 m/s <sup>2</sup> , K=1,5 m/s <sup>2</sup>
<b>Tömeg (akkumulátor nélkül)</b>	1,2 kg

\* A kéziszerszám okozta zajnyomás (A) folyamatos szintjét az EN ISO 15744:1999 szabvány szerint mértük meg és az EN ISO 4871 szerint tüntettük fel.

\* A kéziszerszám okozta zajteljesítmény (A) szintjét az EN ISO 15744:1999 szabvány szerint mértük meg és az EN ISO 4871 szerint tüntettük fel.

# A KÉSZÜLÉK RÉSZEI



- 1 13 mm-es gyorsbefogó tokmány
- 2 Működtető kapcsoló, fordulatszám szabályozással
- 3 Fogantyú
- 4 LED lámpa
- 5 Akkumulátor Li-ion 20 V / 2,0 Ah (külön kell megvásárolni)
- 6 Övakasztó
- 7 Forgásirányváltó kapcsoló
- 8 Fordulatszám fokozat kapcsoló
- 9 Forgatónyomaték beállító gyűrű

# KICSOMAGOLÁS ÉS ELLENŐRZÉS

## KICSOMAGOLÁS

A készüléket és tartozékait vegye ki a csomagolásból, majd azokról távolítson el minden csomagolóanyagot. Ellenőrizze le a készülék és tartozékai állapotát, illetve azok sérülésmentességét. Ellenőrizze le a tartozékok meglétét és a készülék komplettiségét (lásd készülék részei valamint a csomagolás tartalma fejezeteket). Ha hiányosságot vagy sérülést észlel, akkor a készüléket ne használja, forduljon az eladóhoz.

Javasoljuk, hogy legalább a jótállási idő végéig őrizze meg az eredeti csomagolást (visszaküldés esetén ebbe csomagolhatja a készüléket).

## Figyelmeztetés!

- A csomagolóanyagok veszélyt jelentenek a gyerekekre! A csomagolóanyagokat gyerekektől távol tartsa.
- A csomagolóanyagok megsemmisítését a vonatkozó hulladékkezelési előírások szerint hajtsa végre.

# A FÚRÓGÉP ELŐKÉSZÍTÉSE

## AKKUMULÁTOR TÖLTÖTTSÉGI ÁLLAPOT

Az akkumulátor töltöttségének az ellenőrzéséhez nyomja meg az akkumulátoron a kijelző melletti gombot.

## TIPPEK AZ AKKUMULÁTOR HATÉKONY HASZNÁLATÁHOZ

- Az akkumulátort a teljes lemerülés előtt tölts fel.
- Ha a készülék teljesítménye csökken, akkor az akkumulátort cserélje ki és tölts fel. Az akkumulátor teljes lemerítése csökkenti az akkumulátor élettartamát és kapacitását.
- Ne tölts az akkumulátort, ha az meleg, illetve a környezeti hőmérséklet túl magas. Használat után az akkumulátor meleg. A meleg akkumulátor töltése elváltozásokat okozhat a cellákban, és csökkenti az akkumulátor élettartamát. A töltés megkezdése előtt várja meg az akkumulátor lehűlését.
- Az akkumulátort 5 °C és 30 °C közötti környezeti hőmérsékleten tölts fel. Ellenkező esetben a cellák meghibásodhatnak. A használatba vétel előtt várja meg az akkumulátorok lehűlését.

**Megjegyzés:** a fenti utasítások figyelmen kívül hagyása az akkumulátor és az akkumulátortöltő meghibásodását, vagy személyi sérülést okozhat.

# A KÉSZÜLÉK HASZNÁLATA

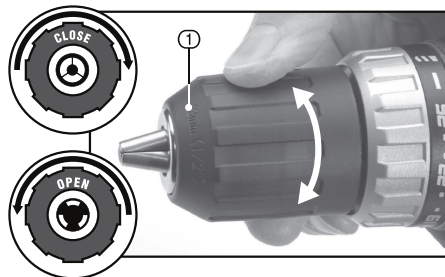
## A FÚRÓK BEFOGÁSA ÉS KIVÉTELE

**Megjegyzés:** a készülék orsófékkel is el van látva.

A készülékre szerelt gyorsbefogó tokmánnyal kulcs használata nélkül lehet a fúrókat befogni és cserélni. A tokmány palástját forgassa el a pofák kinyitásához.

- A fúrót ütközésig dugja be.
- A tokmány palástjának az elforgatásával a fúrót fogja be.

**Megjegyzés:** a biteket például mágneses bittartó segítségével fogja be a tokmányba.



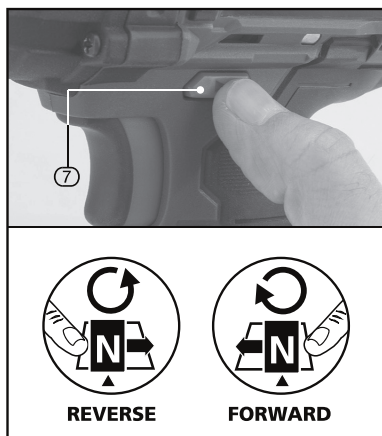
## FORGÁSIRÁNY BEÁLLÍTÁSA

REVERSE=ELŐRE, FORWARD=HÁTRA

A forgásirányváltó kapcsolóval (7) lehet beállítani a kéziszerszám orsójának a forgásirányát.

### Orsó forgásirány megváltoztatása

- Állítsa le a motort, majd a gombot (7) nyomja egyik oldalról a másikra.
- Amennyiben a gomb a jobb oldalon teljesen be van nyomva, akkor az orsó jobbra (előre) forog.
- Amennyiben a gomb a bal oldalon teljesen be van nyomva, akkor az orsó balra (hátra) forog.
- A használatba vétel előtt győződjön meg arról, hogy a forgásirányváltó kapcsoló melyik oldalon áll (merre fog forogni az orsó). A forgásirányt az orsó forgása közben megváltoztatni tilos, várja meg az orsó teljes lefékezéséig.
- Ha a készüléket nem használja, akkor a forgásirányváltó kapcsolót tolja középső állásba, így meg lehet előzni a készülék véletlen bekapcsolását.



**Megjegyzés:** ha a forgásirányváltó kapcsoló nincs középső állásban, akkor a működtető kapcsoló véletlen megnyomásával bekapcsol a kéziszerszám (az orsó forogni kezd). Ez anyagi kárt, sérülést vagy a készülék meghibásodását okozhatja.

## FORDULATSZÁM SZABÁLYOZÁS

A működtető kapcsoló (2) benyomásával az orsó forogni kezd (ha a forgásirányváltó kapcsoló (7) bal vagy jobb oldalra van állítva). A működtető kapcsolóval lehet növelni vagy csökkenteni a fordulatszámot.

- A fordulatszám függ a működtető kapcsoló benyomásának a mértékétől.
- Minél jobban be van nyomva a kapcsoló, annál nagyobb a fordulatszám.
- A kapcsoló lassú felengedésével a fordulatszám is csökken.

## MEGHÚZÁSI NYOMATÉK BEÁLLÍTÁSA



# A KÉSZÜLÉK HASZNÁLATA

A gyűrű (9) forgatásával be lehet állítani a csavarozáshoz kívánt meghúzási nyomatékot.

- A meghúzási nyomatékot 1-25 fokozatba lehet beállítani (a „25” a legnagyobb nyomaték). A meghúzási nyomatékot tapasztalatok alapján kell beállítani. Az azonos nyomatékkal meghúzott csavarok például azonos mélységre állnak be a faanyagokban. Minél nagyobb a csavar átmérője, annál nagyobb nyomatékot kell beállítani.
- A kis átmérőjű csavarokhoz kisebb nyomatékot állítson be, ellenkező esetben a csavar akár el is szakadhat, vagy túlságosan mélyre csavarodik be.

## KÉTSEBESSÉGES HAJTÓMŰ

- Az alacsonyabb fordulatszám tartományt „1” csavarozáshoz lehet használni (alacsonyabb fordulatszám, nagyobb meghúzási nyomaték). Nagyobb átmérőjű fúrókkal történő fúráshoz javasoljuk ennek a fordulatszám tartománynak a használatát.
- A magasabb fordulatszám tartományt „2” fúráshoz lehet használni (magas fordulatszám, kisebb nyomaték).

## ÖVAKASZTÓ

A rugós övakasztó (6) segítségével a készüléket övre lehet akasztani, hogy a készülék mindig kéznél legyen. Az övakasztó bármelyik oldalra felszerelhető.

## Az övakasztó felszerelése

- Az övakasztót (6) a kívánt oldalon tegye a menetes furatra, és a mellékelt csavarral rögzítse. A csavart ne húzza meg túl erősen, a menet kiszakadhat.

## LED VILÁGÍTÁS

A működtető kapcsoló benyomásával a LED lámpa (4) is bekapcsol, és megvilágítja a fúrás vagy csavarozás helyét.

## CSAVAROZÁS

A bit típusát a csavarfej típusa szerint válassza ki (a bitet dugja a csavarfej hornyába, akkor jó a bit, ha hézag (holtjáték) nélkül illeszkedik a csavarfej hornyába).

### Csavarok kicsavarozása

- A készülékbe fogja be a csavarfej típusának megfelelő bitet, majd a forgásirányváltó kapcsolót nyomja be teljesen a jobb oldalon. A bitet dugja a csavarfej hornyába, a készüléket finoman nyomja a csavar irányába, majd lassan nyomja be a működtető kapcsolót.

A csavarozó bitek fogyóanyagok.

### Figyelmeztetés!

- Falba fúrás előtt egy fémkeresővel ellenőrizze le, hogy a furat tengelyében nincsen-e vezeték (elektromos vezeték, víz- vagy gázcső stb.).
- A készüléket ne tegye ki eső vagy nedvesség hatásának.
- Az akkumulátort ne töltsen túl (6 óránál hosszabb ideig). Az akkumulátor meghibásodhat.

## FA ÉS MŰANYAG FÚRÁSA

Ha szeretné megelőzni, hogy az anyagból kifutó fúró ne tépje ki az anyagot a furat szélénél, akkor

# A KÉSZÜLÉK HASZNÁLATA

a munkadarabot helyezze egy deszkára, és a deszkát asztalos szorítóval nyomja neki a munkadarab alsó felületének.

## FÉMEK FÚRÁSA

A készülékkel lágy acélt és színesfémeket lehet fúrni. Használjon élezett fúrókat.

- A furat közepét pontozóval jelölje meg (nem csúszik el a fúró).
- A pontozóval megjelölt helyre cseppentsen vágóolajat, ezzel meghosszabbíthatja a fúró élettartamát.

**Megjegyzés:** a készülékkel lehet fémekeket fúrni, de előfordulhat, hogy bizonyos anyagokba a korlátozott fordulatszámok miatt nehezebben és hosszabb ideig fog behatolni a fúró. Fémek fúrása közben legyen körültekintő, a fúró szerszám eltörhet.

## KARBANTARTÁS

A kéziszerszám rendszeres tisztításával és karbantartásával jó kondícióban tarthatja a kéziszerszámot. Munka közben biztosítani kell a motor megfelelő hűtését. A motor szellőzőnyílásait ezért rendszeresen tisztítsa meg (pl. porszívóval).

## HIBAEHÁRÍTÁS

**Megjegyzés:** karbantartás, beállítás vagy szerszámcsere előtt az akkumulátort szerelje ki a készülékből.

Probléma	Lehetséges ok	Megoldás
<b>A motor nem indul el.</b>	<ul style="list-style-type: none"><li>- Az akkumulátor lemerült.</li><li>- Nem állította be a forgási-rányváltó kapcsolót.</li><li>- Az akkumulátor meghibásodott.</li></ul>	<ul style="list-style-type: none"><li>- Töltse fel vagy cserélje ki az akkumulátort.</li><li>- A gombot nyomja teljesen be (a jobb vagy bal oldalon).</li><li>- Cserélje ki az akkumulátort.</li></ul>
<b>A motor fut, de lassan és nincs teljesítmény</b>	<ul style="list-style-type: none"><li>- Az akkumulátor lemerült.</li><li>- Az akkumulátor meghibásodott.</li></ul>	<ul style="list-style-type: none"><li>- Töltse fel vagy cserélje ki az akkumulátort.</li><li>- Cserélje ki az akkumulátort.</li></ul>
<b>A tokmányban a szerszám kilazul</b>	<ul style="list-style-type: none"><li>- A tokmányban forgács vagy szennyeződés van.</li></ul>	<ul style="list-style-type: none"><li>- Sűrített levegővel tisztítsa ki a tokmány belsejét.</li></ul>
<b>Az akkumulátor nem töltődik fel / nem világít / az akkumulátortöltő nem világít</b>	<ul style="list-style-type: none"><li>- Az akkumulátortöltőt nem csatlakoztatta a hálózathoz, nincs tápfeszültség.</li><li>- Az akkumulátortöltő meghibásodott.</li></ul>	<ul style="list-style-type: none"><li>- Ellenőrizze le a kismegszakítót.</li><li>- Vásároljon új akkumulátortöltőt.</li></ul>

**Fontos!** A készüléket kizárólag csak márkaszerviz javíthatja meg.

# EU MEGFELELŐSÉGI NYILATKOZAT

## Gyártó/importőr azonosító adatai

Gyártó: Alza.cz, a. s.

Regisztrált székhely: Jankovcova 1522/53, Holešovice, 170 00 Prága 7

Cégszám: 27082440

## A nyilatkozat tárgya

Megnevezés: akkumulátoros fúró-csavarozó

Modell / típus: AT-CD20V

## A fent megnevezett terméket a vonatkozó előírások szerint vizsgáltuk be, és kijelentjük, hogy a termék megfelel az alábbi európai irányelvek és szabványok követelményeinek:

gépi berendezésekre vonatkozó műszaki követelmények 2006/42/EK,

elektromágneses összeférhetőség (EMC) 2014/30/EU,

ROHS 2011/65/EU és 2015/863/EU irányelv.

## Harmonizált szabványok:

EN62841-1:2015

EN 62841-2-1:2018/A11:2019

EN55014-1:2017

EN55014-2:2015

## Az EK típusvizsgálatot végrehajtó szervezet:

No. 0123 TÜV SÜD Product Service GmbH, Certification Body, Ridlerstraße 65, 80339 Munich, Germany

Tanúsítvány száma: M8A 063263 0133

## A műszaki dokumentációk a alábbi címen vannak letétbe helyezve:

Alza.cz, a. s.

Jankovcova 1522/53, Holešovice, 170 00 Prága 7

A készülék gyártási száma és a gyártás éve a készüléken van feltüntetve.

Ing. Jan Melena

Business Development Manager

Sales and Purchasing; Private Labels



Prága, 2021.9.22.



## WARRANTY & SUPPORT

Your new product is protected by our 24-month warranty, or extended warranty (if stated), which you can apply at any of our points of sale. For inquiries, you can use the contact form or one of our international call centres.

## GARANTIE & BETREUUNG

Ihr neues Produkt wird durch unsere 24-monatige Garantie oder gegebenenfalls (falls angegeben) durch eine erweiterte Garantie geschützt, die Sie an jeder unserer Verkaufsstellen geltend machen können. Für Anfragen können Sie das Kontaktformular ausfüllen oder eines unserer internationalen Callcenter kontaktieren.

## ZÁRUKA & PODPORA

Váš nový produkt je chráněn naší 24 měsíční zárukou, případně prodlouženou zárukou (pokud je uvedeno), kterou můžete uplatnit v kterém-

koli našem prodejním místě. V případě dotazů můžete využít kontaktní formulář, případně jedno z našich mezinárodních call center.

## ZÁRUKA & PODPORA

Váš nový produkt je chránený našou 24 mesačnou zárukou, případne predĺženou zárukou (pokiaľ je uvedená), ktorú môžete uplatniť na ktoromkoľvek našom predajnom mieste. V prípade dotazov môžete využiť kontaktný formulár, prípadne jedno z našich medzinárodných call centier.

## GARANCIA & TÁMOGATÁS

Az Ön új terméke 24 hónapos garanciával, esetleg meghosszabbított garanciával ellátott, (amennyiben ez van feltüntetve), amelyet bármely értékesítési helyünkön igénybe vehet. Kérdések esetén kitöltheti a kapcsolattartási űrlapot is, vagy felhívhatja nemzetközi telefonos ügyfélszolgálatunk egyikét.

**On-line:** [www.alzashop.com/contact](http://www.alzashop.com/contact)

<b>Česko</b>	+420225340111
<b>Deutschland</b>	(+49) 0800 181 45 44
<b>Magyarország</b>	+36-1-701-1111

<b>Österreich</b>	+43 720815 999
<b>Slovensko</b>	+421 257 101 800
<b>United Kingdom</b>	+44 (0)203 514 4411



## ENGLISH

This product meets all of the related basic EU regulation requirements. The EU declaration of conformity is available on [www.alzashop.com/doc](http://www.alzashop.com/doc).

This product sold in the European Union meet the requirements of Directive 2011/65/EU on the restriction of the use of certain hazardous substances in electrical and electronic equipment (RoHS).

The use of the WEEE Symbol indicates that this product should not be treated as household waste. By ensuring this product is disposed of correctly, you will help protect the environment.

For more detailed information about the recycling of this product, please contact your local authority, your household waste disposal service provider, or the shop where you purchased the item.

## DEUTSCH

Dieses Produkt erfüllt alle relevanten EU-Vorschriften. Die EU-Konformitätserklärung ist unter [www.alzashop.com/DoC](http://www.alzashop.com/DoC) einsehbar.

Dieses in der Europäischen Union verkaufte Produkt erfüllt die Anforderungen der EU Richtlinie 2011/65/EU zur Beschränkung der Verwendung bestimmter gefährlicher Stoffe in

---

Elektronikgeräten (RoHS).

Das WEEE-Symbol weist darauf hin, dass dieses Produkt nicht als normaler Haushaltsabfall behandelt werden darf. Indem Sie sicherstellen, dass dieses Produkt ordnungsgemäß entsorgt wird, tragen Sie zum Schutz der Umwelt bei. Für detailliertere Informationen zum Recycling dieses Produkts wenden Sie sich bitte an Ihre lokale Behörde, Ihren Hausmüllentsorgungsdienstleister oder das Geschäft, in dem Sie das Produkt erworben haben.

### **ČESKY**

Tento výrobek splňuje veškeré základní požadavky směrnice EU. EU prohlášení o shodě je k dispozici na [www.alzashop.com/doc](http://www.alzashop.com/doc).

Tento výrobek prodáváný v Evropské unii splňuje požadavky směrnice 2011/65/EU omezující používání některých nebezpečných látek v elektrických a elektronických zařízeních (RoHS).

Použití symbolu WEEE označuje, že tento výrobek nesmí být považován za domovní odpad. Zajištěním správné likvidace tohoto výrobku pomáháte chránit životní prostředí. Pro podrobnější informace o recyklaci tohoto výrobku se prosím obraťte na místní úřad zabývající se likvidací domovního odpadu, poskytovatele služeb zabývající se likvidací domovního odpadu nebo obchodu, kde jste produkt zakoupili.

### **SLOVENSKY**

Tento výrobok spĺňa všetky základné požiadavky smernice EÚ. EÚ Vyhlásenie o zhode je k dispozícii na [www.alzashop.com/doc](http://www.alzashop.com/doc).

Tento výrobok, predávaný v Európskej únii, spĺňa požiadavky smernice 2011/65/EU obmedzujúce používanie niektorých nebezpečných látok v elektrických a elektronických zariadeniach (RoHS).

Použitie symbolu WEEE označuje, že tento výrobok sa nesmie likvidovať s komunálnym odpadom. Ak výrobok správne zlikvidujete, prispějete k ochrane životného prostredia. Podrobnejšie informácie o recyklácii výrobku získate na miestnom zastupiteľstve, u poskytovateľov služieb likvidácie domového odpadu alebo v predajni, v ktorej ste výrobok zakúpili.

### **MAGYAR**

Ez a termék megfelel az összes rá vonatkozó EU-s szabályozási követelménynek. Az EU megfeleléségi nyilatkozata a [www.alzashop.com/DoC](http://www.alzashop.com/DoC) címen érhető el.

Az Európai Unióban értékesített termékek megfelelnek az elektromos és elektronikai berendezésekben való egyes veszélyes anyagok használatának korlátozására vonatkozó 2011/65/EU (RoHS) irányelvnek.

A WEEE szimbólum azt jelzi, hogy ez a termék nem kezelhető háztartási hulladékként. A termék helyes megsemmisítésének biztosításával segít védeni a környezetet. A termék újrahasznosításával kapcsolatos részletesebb információért, kérjük, forduljon a helyi hatóságokhoz, a háztartási hulladékkezelő szolgáltatóhoz vagy a bolthoz, ahol a terméket megvásárolta.





Co. Reg. No. 27082440

Alza.cz, a. s., Jankovcova 1522/53, 170 00 Prague 7, Czech Republic

© 2021 Alza.cz, a. s. All Rights Reserved.